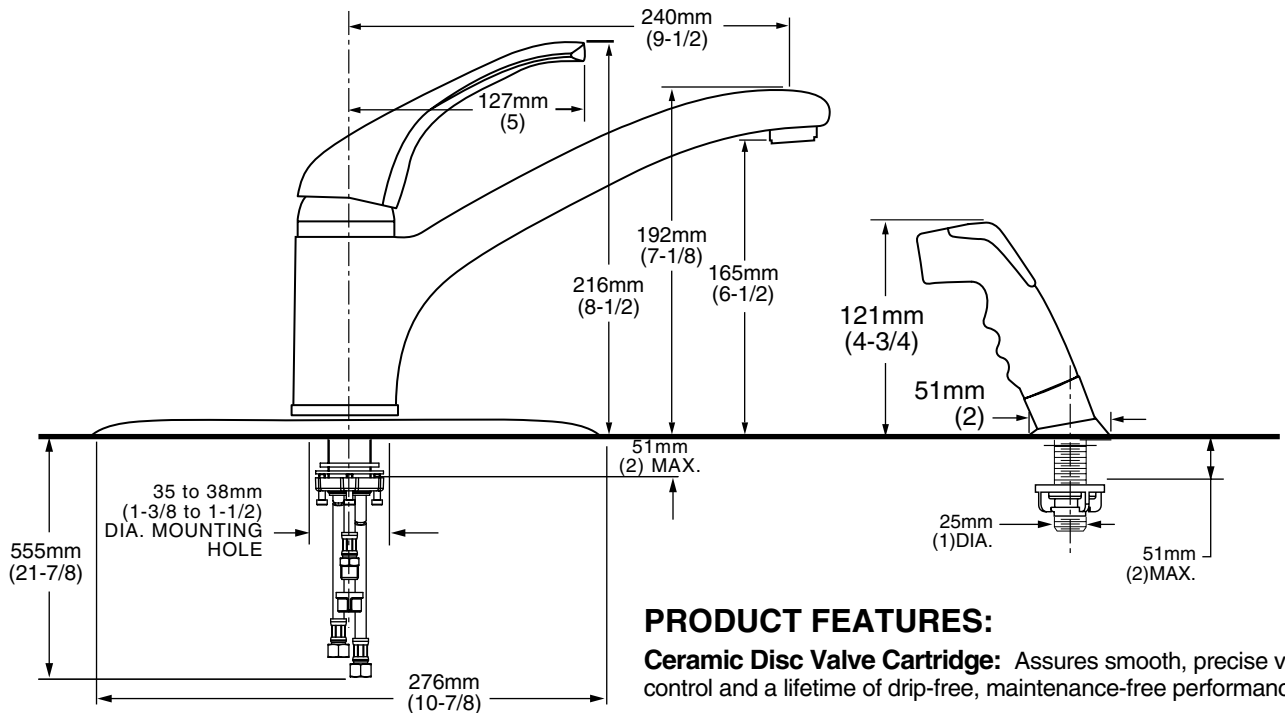




MODEL NUMBER:

- **4400.641 Kitchen Faucet**
 Color-matched handspray. Escutcheon plate (use is optional).



GENERAL DESCRIPTION:

Cast brass body and swivel spout. Stamped brass escutcheon plate, and metal lever handle. Washerless 47mm ceramic disc valve cartridge with Hot Limit Safety Stop. Braided flexible supply hoses with 3/8" compression connections. 2.2 gpm/8.3L/min. maximum flow rate. Brass mounting shank with brass fixation ring (for installation on counters up to 2"). Can be mounted with or without supplied escutcheon plate (escutcheon size 10-7/8"L x 2-1/2"W). Color-matched hand spray. Cap provided for less spray applications.

PRODUCT FEATURES:

- Ceramic Disc Valve Cartridge:** Assures smooth, precise valve control and a lifetime of drip-free, maintenance-free performance.
- Brass and Copper Waterway & Cast Brass Spout:** Highest quality materials for durability and long life.
- Memory Position Valving:** Allows user to turn valve on and off at preferred temperature setting without readjusting handle position each time.
- Adjustable Hot Limit Safety Stop:** Limits the amount of hot water allowed to mix with cold. Reduces the risk of accidental scalding.
- Low Lead:** Meets NSF Standard 61/Section 9 & Prop 65 lead requirements.
- Choice of Finishes:** Choice of Polished Chrome, Stainless Steel (PVD) or Satin Nickel (PVD).

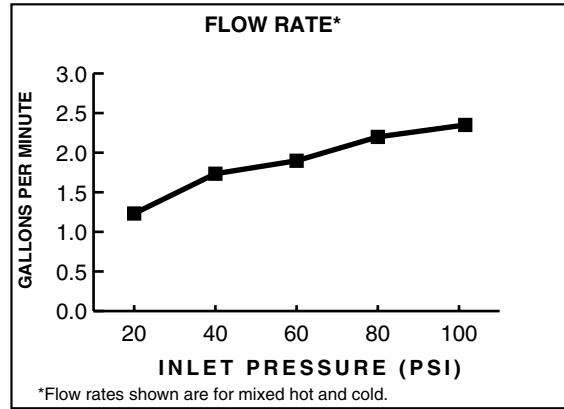
SUGGESTED SPECIFICATION:

Single control kitchen faucet shall feature a cast brass body and cast brass swivel spout. Stamped brass escutcheon plate, and metal lever handle. Shall also feature washerless ceramic disc valve cartridge with integral hot limit safety stop. Fitting shall be American Standard Model # 4400.641._____.


CODES AND STANDARDS

These products meet or exceed the following codes and standards:

- ANSI A117.1**
- ASME A112.18.1**
- CSA B 125**
- NSF 61/Section 9**



Product Number	Description	Finish Options		
		Polished Chrome	PVD Stainless Steel	PVD Satin Nickel
		002	075	295
4400.641	Kitchen faucet. Color-matched handspray.			

 Meets the American Disabilities Act Guidelines and **ANSI A117.1** Requirements for the physically challenged.