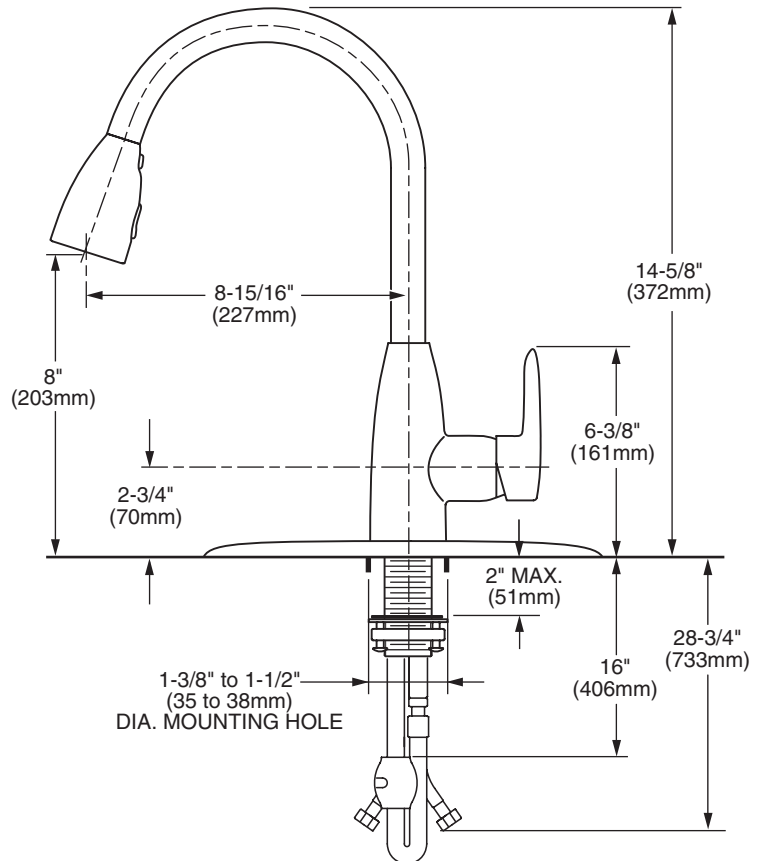




MODEL NUMBER:

□ 4175.300 Pull Down Kitchen Faucet



GENERAL DESCRIPTION:

Metal body and handle with brass swivel spout. Pull-down spray with adjustable spray pattern and pause feature. Nylon braided pull out hose. Washerless 40mm ceramic disc valve cartridge. Braided flexible supply hoses with 3/8" compression connections. Brass mounting shank with brass fixation ring. Complete with two integral check valves. 2.2 gpm/8.3L/min. maximum flow rate. Fitting can be mounted with or without metal escutcheon plate (escutcheon size 10"L x 2-3/4"W).

PRODUCT FEATURES:

Ceramic Disc Valve Cartridge: Assures smooth, precise valve control and a lifetime of drip-free, maintenance-free performance.

Brass Construction: Highest quality materials for durability & long life.

Memory Position Valving: Allows user to turn valve on and off at preferred temperature setting without readjusting handle position each time.

Lead Free: Faucet contains < 0.25% total lead content by weighted average.

Pull-down Spray: Adjustable spray pattern-stream to spray and pause feature.

Integral Check Valves: Prevents back flow.

Choice of Finishes: Choice of Polished Chrome or Stainless Steel (PVD).

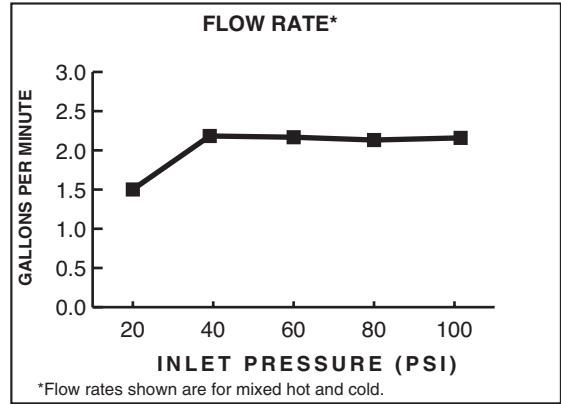
SUGGESTED SPECIFICATION:

Single control kitchen faucet shall feature a metal body with pull-down spray. Shall also feature washerless ceramic disc valve cartridge, flexible supply hoses and two integral check valves. Fitting shall be American Standard Model # 4175.300. _____


CODES AND STANDARDS

These products meet or exceed the following codes and standards:

- ANSI A117.1**
- ASME A112.18.1**
- NSF 61/Section 9 & Annex G**
- CSA B125**



Product Number	Description	Finish Options	
		Polished Chrome	PVD Stainless Steel
		002	075
4175.300	Pull-down Kitchen Faucet.		

 Meets the American Disabilities Act Guidelines and **ANSI A117.1** Requirements for the physically challenged.