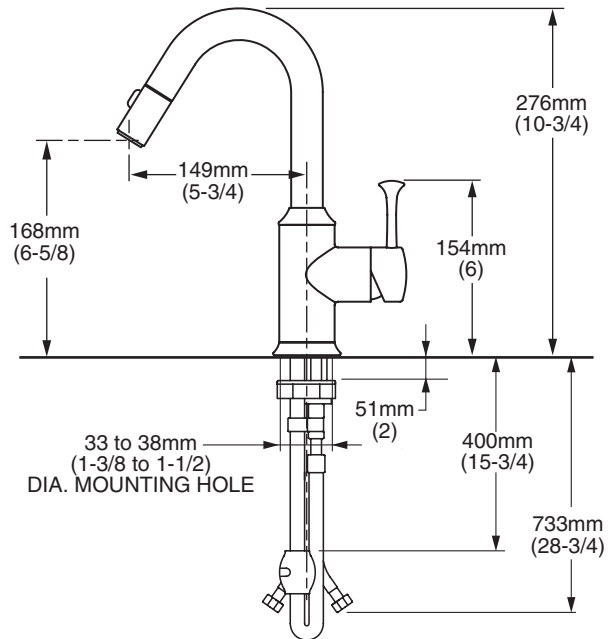


MODEL NUMBER:

- ☐ **4332.410 Pull-Down Bar Faucet with Hi-Flow Spout**



GENERAL DESCRIPTION:

Forged brass body, brass swivel spout with metal lever handle. Pull-down spray with adjustable spray pattern and push button activation. Spray securely snaps into place. Metal reinforced hose. Complete with two integral check valves. Washerless 40mm ceramic disc valve cartridge. Brass mounting shank with brass fixation ring. Braided flexible supply hoses with 3/8" compression connectors. 2.2 gpm/8.3L/min. maximum flow rate.

PRODUCT FEATURES:

Ceramic Disc Valve Cartridge: Assures smooth, precise valve control and a lifetime of drip-free, maintenance free performance.

Brass Construction: Highest quality faucet materials for durability & long life.

Memory Position Valving: Allows user to turn valve on and off at preferred temperature setting without readjusting handle position each time.

Low Lead: Meets NSF Standard 61/Section 9, Annex G, & Prop 65 lead requirements.

Pull-Down Spray: Adjustable spray pattern-stream to spray.

Integral Check Valves: Prevent back flow.

Choice of Finishes: Choice of Polished Chrome or Stainless Steel (PVD).

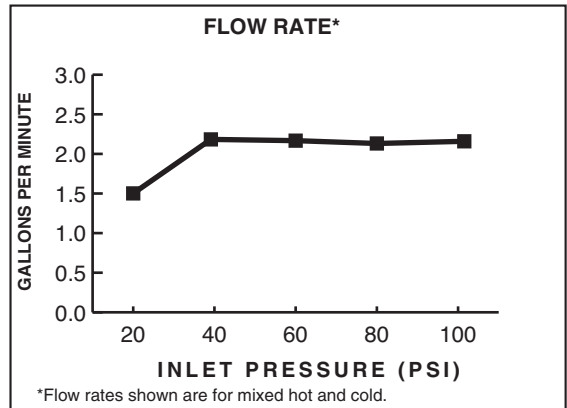
SUGGESTED SPECIFICATION:

Single control kitchen faucet shall feature a forged brass body, brass swivel spout with pull-down spray and metal lever handle. Shall also feature washerless ceramic disc valve cartridge, flexible supply hoses and two integral check valves. Fitting shall be American Standard Model # 4332.410._____.


CODES AND STANDARDS

These products meet or exceed the following codes and standards:

- ANSI A117.1**
- ASME A112.18.1**
- NSF 61/Section 9 and Annex G**
- CSA B125**



Product Number	Description	Finish Options	
		Polished Chrome	PVD Stainless Steel
4332.410	Hi-Flow Pull-Down Bar Faucet.	002	075

 Meets the American Disabilities Act Guidelines and **ANSI A117.1** Requirements for the physically challenged.