

2705

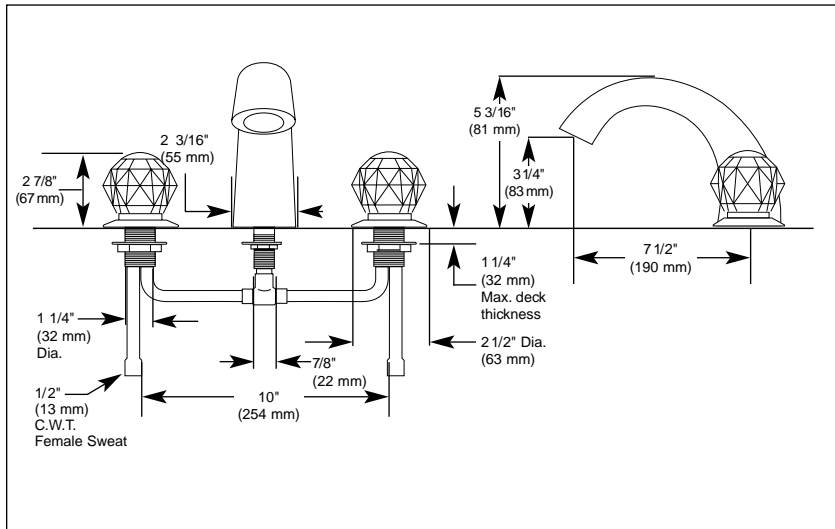


ROMAN TUB/WHIRLPOOL FAUCET TRIM

- Classic Series
- Two Handle Roman Tub Faucet
- Three Hole Installation
- Complete Trim and Rough-In

Submitted Model No.: _____

Specific Features: _____



STANDARD SPECIFICATIONS:

- Solid fabricated brass end valves and spout body.
- Fixed 10" (254 mm) widespread mount on deck or ledge.
- 7 1/2" (191 mm) long, 5 3/16" (132 mm) high slip-on rigid spout.
- Conventional rough-in adjusts to 1 1/4" (32 mm) maximum deck thickness.
- 5/8" I.D. copper inlet supply tubes.
- Two-handle Roman Tub faucet for concealed mounting.
- Includes clear knob handles.
- Control mechanism is a rotating cylinder type with stainless steel plate and 180° rotation, with replaceable non-metallic seats operating in stainless steel lined sockets.
- Hot and cold stems are interchangeable.
- Temperature and volume controlled with handles.
- All operating parts shall be replaced from the top.

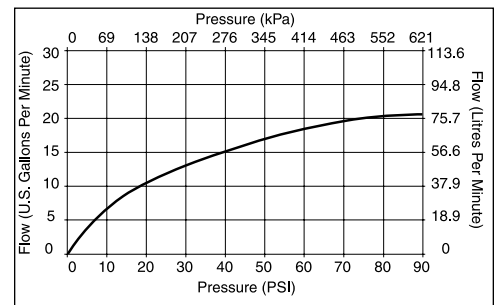
WARRANTY

- Lifetime Faucet and Finish Limited Warranty to the original consumer purchaser to be free from defects in material and workmanship.
- 5 Year Limited Warranty for usage in all industrial, commercial and business applications.



COMPLIES WITH:

- ASME A112.18.1 / CSA B125.1
- CSA Certified
- IAPMO Listed



Delta reserves the right (1) to make changes in specifications and materials, and (2) to change or discontinue models, both without notice or obligation. Dimensions are for reference only. See current full-line price book for finish options and product availability.

DSP-B-2705 REV. A



Indianapolis, Indiana 46280
A Division of Masco Corporation of Indiana
© 2006 Masco Corporation of Indiana