

### LUTEZIA BIDET, MODEL 50148

- Traditional styling
- Coordinates with Porcher's Lutezia and Pomezia suite of products
- Vitreous China construction
- Bolt Caps included

#### Nominal Dimensions:

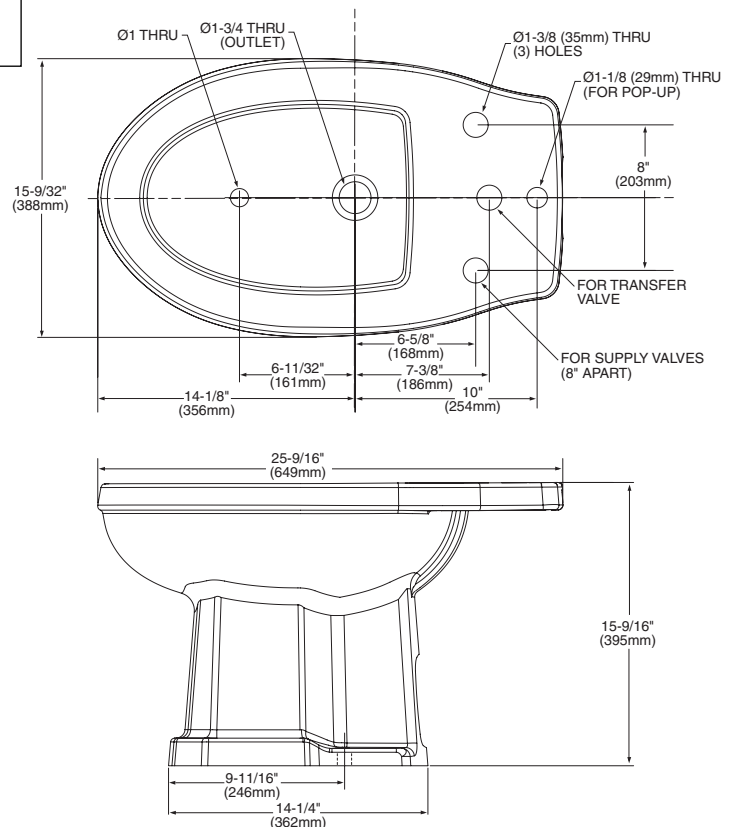
15-9/32" x 25-9/16" x 15-9/16"  
(388 x 649 x 396mm)



Bidets

#### To Be Specified

- Color:
- Trip Lever Finish:



Hydraulic performance, water surface area, trap seal depth, and all fixture dimensions meet or exceed ASME Standard A112.19.2 requirements.

#### NOTES:

THIS WATER CLOSET IS DESIGNED TO ROUGH-IN AT A MINIMUM DIMENSION OF 12" (305MM) FROM FINISHED WALL TO C/L OF OUTLET. SUPPLIED WITH INSTALLATION TEMPLATE.

INCLUDES FLEX SUPPLY WITH INTEGRAL SHUTOFF VALVE, SEAT, AND BOLT CAPS.

★ DIMENSIONS SHOWN FOR LOCATION OF CONCEALED SUPPLY ARE SUGGESTED.

IMPORTANT: Dimensions of fixtures are nominal and may vary within the range of tolerances established by ASME Standard A112.19.2. These measurements are subject to change or cancellation. No responsibility is assumed for use of superseded or voided pages.