

OVALE™ HIGH EFFICIENCY
ELONGATED 2-PIECE TOILET
KIT#: 90750-28

- LXP (Luxury Performance) Toilet
- Features the Cadet® 3 Flushing System
- Design-matched to Porcher's Ovale™ Collection
- Made of Vitreous China
- Everclean Surface® inhibits the growth of stain and odor causing bacteria, mold and mildew on the surface
- Meets definition for HET (High Efficiency) (1.28 gpf/4.8 Lpf)
- 3" Flush Valve with Chemical Resistant Flapper
- Elongated siphon action jetted bowl with a 2-1/8" fully-glazed trapway
- MaP Flush Performance: 1,000g
- Two-piece design
- Rim height 16-1/2" for accessible application (ADA)
- Seat sold separately
- Chrome metal trip lever
- 9.5" x 8.5" water surface area
- 12" Rough-in
- 2 bolt caps included
- 10 Year Warranty
- Available in White (001) or Biscuit (071)

Water Closet Combination Part Number:

90750-28

Tank Number Only:

40750-28

Bowl Number Only:

41750-28

Seat Model Number:

70620-00

Optional Trip Levers in Jado matched finishes:

- 81750-00.100** Polished Chrome
- 81750-00.105** Old Bronze
- 81750-00.144** Brushed Nickel
- 81750-00.150** Polished Nickel
- 81750-00.167** Diamond
- 81750-00.355** Ultra Steel
- 81750-00.444** Antique Nickel

Nominal Dimensions:

28-1/4" x 17-1/4" x 30-3/4" (717 x 437 x 780mm)



Compliance Certifications – Meets or Exceeds the Following Specifications:

- ASME A112.19.2/CSA B45.1 for Ceramic plumbing fixtures
- Includes Flush Performance, Ball Pass Diameter, Trap Seal Depth and all Dimensions
- Certified in EPA Watersense HET program

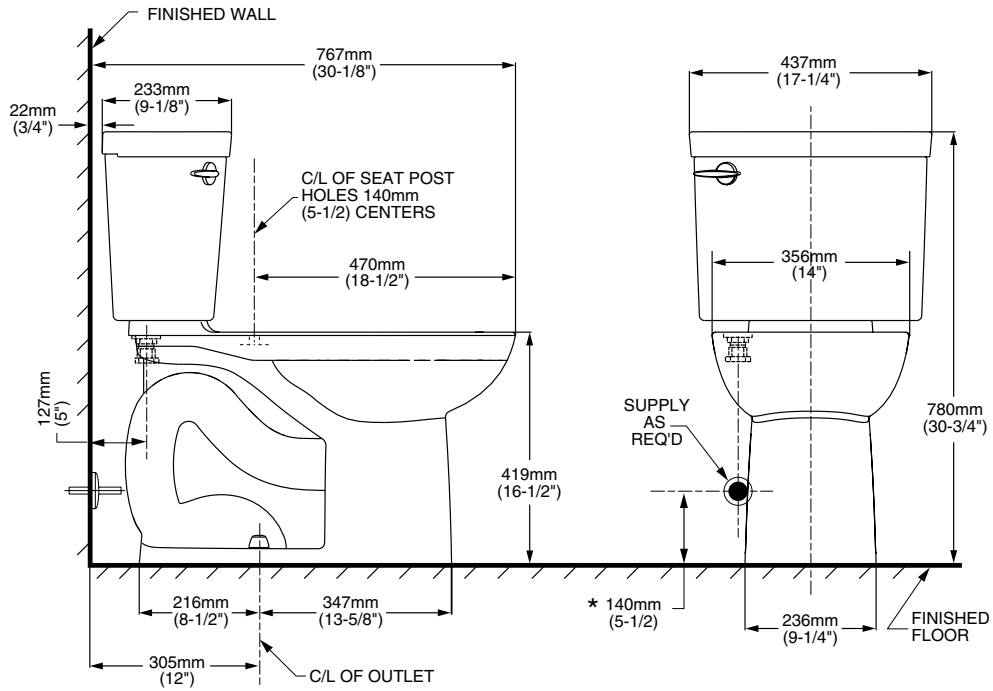
To Be Specified:

- Color:
- Trip Lever Finish:



WATER CLOSET HEIGHT of 16-1/2" (419mm) IS IN COMPLIANCE WITH AMERICAN DISABILITIES ACT (ADA) GUIDELINES AND ANSI A117.1 REQUIREMENTS FOR THE PHYSICALLY CHALLENGED.

**ROUGH IN DIAGRAM SHOWN
 ON REVERSE SIDE**



NOTES:

THIS TOILET IS DESIGNED TO ROUGH-IN AT A MINIMUM DIMENSION OF 12" (305MM) FROM FINISHED WALL TO C/L OF OUTLET. SUPPLIES NOT INCLUDED WITH FIXTURE AND MUST BE ORDERED SEPARATELY.

★ DIMENSIONS SHOWN FOR LOCATION OF SUPPLY ARE SUGGESTED.

IMPORTANT: Dimensions of fixtures are nominal and may vary within the range of tolerances established by ANSI Standard A112.19.2M. These measurements are subject to change or cancellation. No responsibility is assumed for use of superseded or voided pages.