

LUTEZIA ELONGATED 2-PIECE WATER CLOSET, MODEL# 90160

- Right Height™ 16-1/2" rim height for comfort seating
- 10" x 8" water surface
- 12" rough-in with an exposed nominal 2" trapway
- Elongated siphon action jetted bowl
- Solid metal trip lever
- Seat NOT included
- Seat or Lutezia Wood Finish

Water Closet Combination Part Number:

- 90160 Water Closet complete with chrome trip lever

Tank Number only:

- 41160 Water Closet tank with chrome trip lever

Bowl Number only:

- 40150 Water Closet bowl, elongated

Optional Trip Levers:

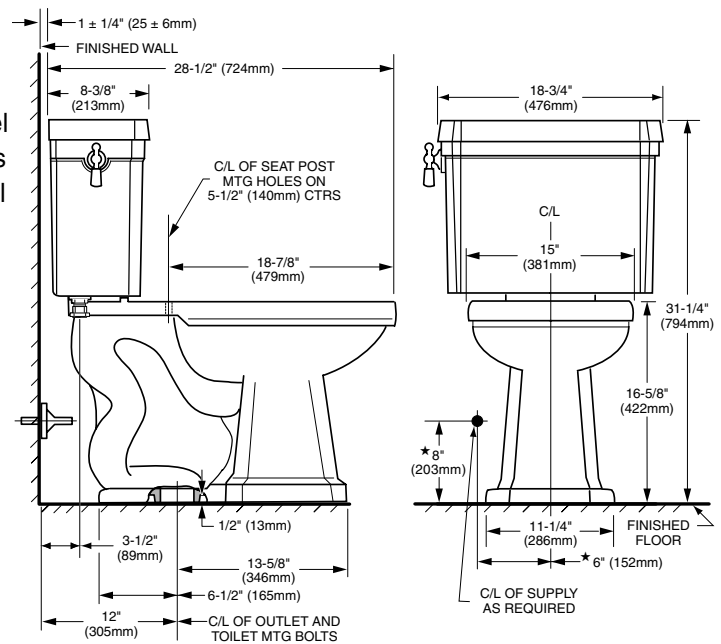
- 81290-00.008 Standard trip lever in polished nickel
- 81290-00.099 Standard trip lever in polished brass
- 81290-00.295 Standard trip lever in brushed nickel

Nominal Dimensions:

18-3/4" x 29-7/8" x 31-1/4" (476 x 758 x 794mm)

To Be Specified

- Color:
- Trip Lever Finish:
- Supply with stop:
- Seat: Solid wood elongated
 - #71020 Seat & cover chrome hinges
 - #71022 Seat & cover polished brass hinges
 - #71020 Seat & cover chrome hinges
 - #71022 Seat & cover brushed nickel hinges



WATER CLOSET HEIGHT of 16-5/8" (422mm) IS IN COMPLIANCE WITH AMERICAN DISABILITIES ACT (ADA) GUIDELINES AND ANSI A117.1 REQUIREMENTS FOR THE PHYSICALLY CHALLENGED.

Hydraulic performance, water surface area, trap seal depth, ballpass diameter, and all fixture dimensions meet or exceed ANSI Standard A112.19.2M requirements.

NOTES:

THIS WATER CLOSET IS DESIGNED TO ROUGH-IN AT A MINIMUM DIMENSION OF 12" (305MM) FROM FINISHED WALL TO C/L OF OUTLET. SUPPLY NOT INCLUDED WITH FIXTURE AND MUST BE ORDERED SEPARATELY. ★ DIMENSIONS SHOWN FOR LOCATION OF SUPPLY ARE SUGGESTED.

IMPORTANT: Dimensions of fixtures are nominal and may vary within the range of tolerances established by ANSI Standard A112.19.2M. These measurements are subject to change or cancellation. No responsibility is assumed for use of superseded or voided pages.