

EPIC ROUND ABOVE-COUNTER BASIN, MODEL 15020

- Contemporary basin design
- Sharp profile
- Fire clay construction
- Available in White only
- For use with grid drain
- Single faucet hole
- Made in Italy

Nominal Dimensions:

21-1/4" diameter (540mm)

6-5/16" depth (160mm)

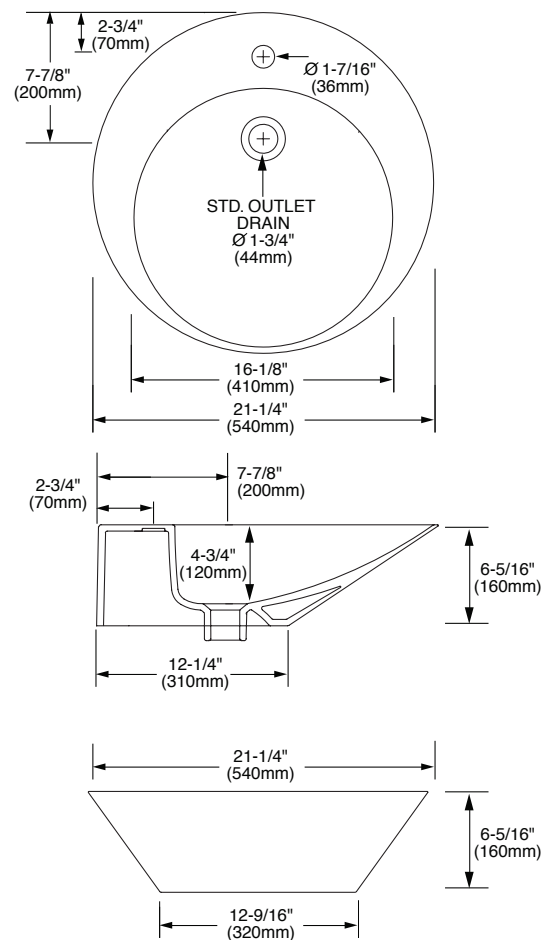
Fixture Dimensions conform to ASME Standard

A112.19.9



To Be Specified

- Faucet:
- Faucet Finish:
- Supplies:
- 1-1/4" Trap:
- Nipple:



Above Counter Basins

NOTES:

★ DIMENSIONS SHOWN FOR LOCATION OF SUPPLIES AND "P" TRAP ARE SUGGESTED.

▲ FOR COUNTERTOP CUTOUT, REFER TO INSTALLATION INSTRUCTIONS SUPPLIED WITH LAVATORY. FITTINGS NOT INCLUDED AND MUST BE ORDERED SEPARATELY.

IMPORTANT: Dimensions of fixtures are nominal and may vary within the range of tolerances established by ASME Standard A112.19.9. These measurements are subject to change or cancellation. No responsibility is assumed for use of superseded or voided pages.