

METALWORKS™ RH200 – Custom Plank and Curved Systems



METALWORKS RH200 Plank System



METALWORKS RH200 Curved System

Armstrong METALWORKS ceiling systems offer a broad range of manufacturing capabilities for custom metal ceiling options. This collaborative design offering can include custom visuals, dimensions, performance levels and integration options including the types of systems shown here.

Custom Product Attributes

- Custom sizes and modules are available
- Accommodates a wide variety of lighting system types and sizes
- Wide choice of perforations, colors, finishes and integration options
- Tight or reveal joint detail
- Fully accessible panels; minimal grid obstructions
- Cutouts for recessed lights and sprinklers available
- World-class design support available

Typical Applications

- Transportation centers
- Large ceiling areas
- High access areas
- Corridors/Lobbies
- Hospitality and retail spaces
- Areas requiring frequent plenum access
- Boardrooms and other high profile spaces

Seismic Installations

METALWORKS custom systems have been engineered and tested for applications in seismic zones. Most systems meet requirements for seismic zones 3-4 and categories D, E and F. Contact Armstrong Architectural Specialties for specific test information details and installation instructions.

Acoustical Options

Perforated custom panels are usually supplied with factory installed, black, sound absorbent acoustical fleece. Fiberglass infill panels are also available.

Fire Performance

Class A per IBC

Recycled Content

25%

Design Support

Project management assistance is available by calling 1 877 ARMSTRONG, options 1-1-4 to work with the Architectural Specialties project management team.

Color Selection

Due to printing limitations, shade may vary from actual product.



White (WH)



Silver Grey (SG)

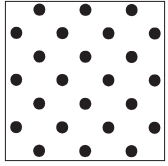


Gun Metal Grey (MY)

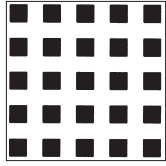
Standard METALWORKS colors Global White, Silver Grey and Gun Metal Grey, as well as RAL colors, are available on METALWORKS custom systems. Contact Armstrong Architectural Specialties for custom color matching requests.



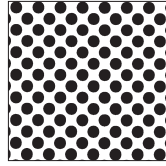
Perforation Options for Custom Systems (partial list)



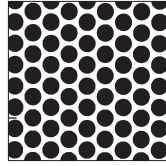
Pattern Rd 2508



Pattern Qg 4025



Pattern Rd 2535



Pattern Rv 4058

To view our full range of perforations available for custom METALWORKS systems, visit our Web site at armstrong.com/metalworks

Relative Installed Cost

\$	\$\$	\$\$\$	\$\$\$\$
----	------	--------	----------

RH200 Plank System

Physical Data

Panel Dimensions

Typical panel dimensions range from 9" to 24" wide and up to 96" long. Our Armstrong Architectural Specialties project management team is available to assist in project design.

Material

Standard material is electrogalvanized steel. Aluminum is also available.

Finishes

Factory-applied powder-coated (post-coated) finish.

The hook-on plank systems offer an extensive range of ceiling options for maximum design and installation flexibility.

Suspension

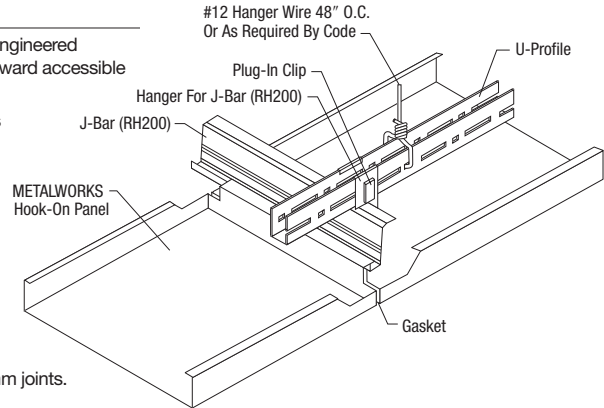
Suspension is by means of a fully engineered **J-Bar system**. All panels are downward accessible without the use of tools.

Suspension Components

- U-Profile
- U-Profile Splice
- Plug-in Clip
- J-Bar
- J-Bar Splice
- J-Bar Hanger
- J-Bar Security Clip
- Wall Anchor

RH 200

The RH200 system features larger size panels and gasketed 3mm joints.



RH200 Curved System

Physical Data

Panel Dimensions

Width and length limitations are dependent on panel attributes including radius and perforation. Contact Architectural Specialties for more information.

Panel Radii and Sweep of Arc

Panels can be manufactured to a range of panel radii. Your Architectural Specialties Project Management team is available to assist you in panel selection and design.

Convex/Concave

Panels may be made with their finished surface convex or concave.

Material

Standard material is electrogalvanized steel. Aluminum is also available.

Finishes

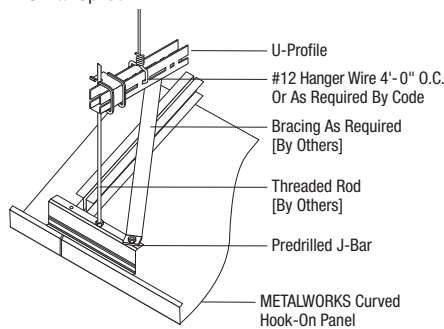
Factory-applied powder-coated (post-coated) finish

Suspension

Suspension is by a J-Bar, Pencil Rod and U-Profile system. Each panel is installed and independently removable within a "Trapeze" structure which may be braced with wire. All panels are accessible without the use of tools. Security clamps may be installed if required. In this case, panels are accessible sequentially.

Suspension Components

- U-Profile
- U-Profile Splice
- J-Bar (pre-drilled)
- J-Bar Splice
- J-Bar Security Clip
- Clamping Bracket
- Wall Anchor



Layout

U-Profile

U-Profiles must be installed perpendicular to the long direction of the panels at least 48" centers. Suspension points should be at least at every 48" on each U-Profile with suspension no further than 18" from each wall or U-Profile termination, or as required by local code. Joints in U-Profiles should be staggered and connected with the U-Profile Splice. U-Profiles are suspended from the deck by 12 ga. wire as required by local code.

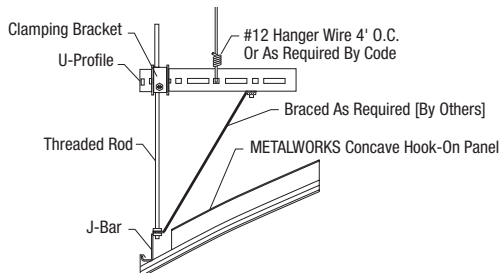
J-Bar

J-Bar is installed perpendicular to the U-Profiles on centers dictated by the panel length. J-Bars are connected end-to-end with the J-Bar Splice.

J-Bars are connected directly to the U-Profiles or below the U-Profile on threaded rod as dictated by the arc of the panel.

Joint and Edge Detail

Edges are square. Joints are normally made with a 1/8" (3mm) foam gasket separator, but may be tightly butted. Panels can be made with self-finished edge for use in free-floating cloud applications.



Due to nonstandard dimensions, finishes and performance features for this METALWORKS system, please call 1 877 ARMSTRONG and select options 1-1-4 to work with the Architectural Specialties project management team or visit our web site. Features and specifications are subject to change without notice.