



Buy it for looks. Buy it for life.®

Specifications

SINK DESCRIPTION

- Manufactured of 20 gauge, type 301 nickel-bearing stainless steel
 - The single bowl is a minimum of 10" x 12" x 5.5"
 - Has one 2" diameter recessed drain opening
 - Soundshield undercoating maximizes sound deadening and inhibits condensation.
 - The exposed surfaces are polished to a lustrous satin tone finish
 - Silicone sealant not provided. Includes mounting bracket.
- Other standard mounting hardware not included

INSTALLATION

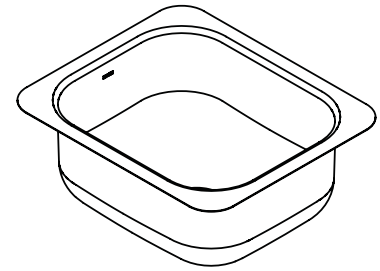
- Template enclosed with sink
- Template ordering number 22001

STANDARDS

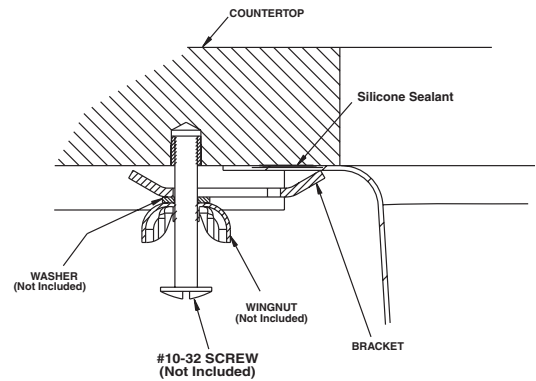
- Third party certified by IAPMO to meet ASME A112.19.3 and all applicable specifications referenced therein.

WARRANTY

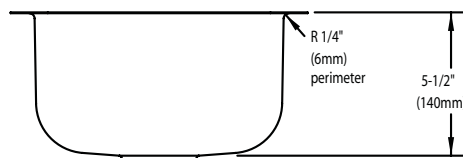
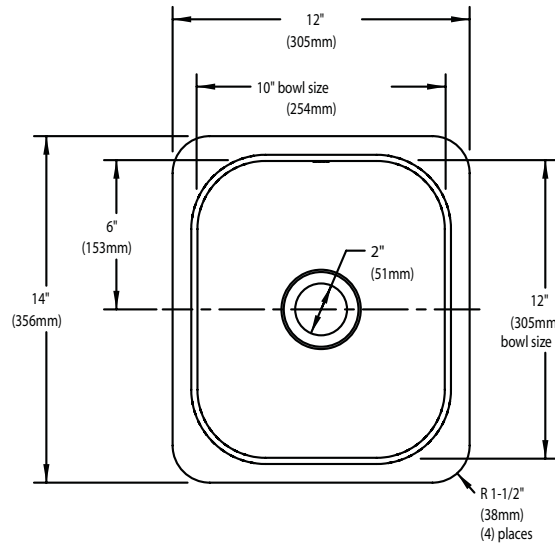
- Warranted for ten years against material or manufacturing defects



**Camelot® Undermount
Single Bowl Kitchen Sink
Model: 22242
(UMTK-10"x12"x5.5")**



Installation Detail



CRITICAL DIMENSIONS

(DO NOT SCALE)

FOR MORE INFORMATION CALL: 1-800-BUY-MOEN

www.moen.com