



Buy it for looks. Buy it for life.®

SINK DESCRIPTION

- Manufactured of 16 gauge, type 304 nickel-bearing stainless steel
- The single bowl is a minimum of 30" x 18" x 10"
- Has one 3-1/2" diameter recessed drain opening
- SoundShield undercoating maximizes sound deadening and inhibits condensation
- The exposed surfaces are polished to a lustrous satin tone finish
- Silicone sealant not provided. Includes mounting bracket.
- Other standard mounting hardware not included

INSTALLATION

- Template enclosed with sink
- Template ordering number 22539

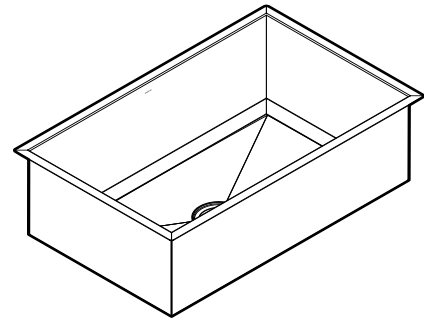
STANDARDS

- Third party certified by IAPMO to meet ASME A112.19.3 and all applicable specifications referenced therein.

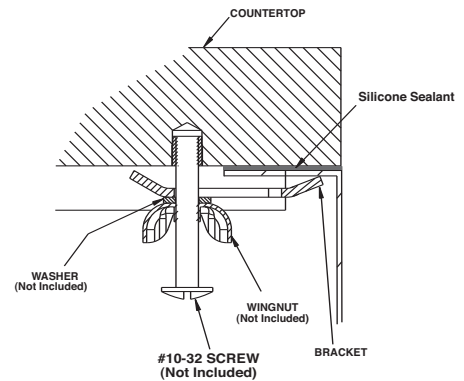
WARRANTY

- Warranted for fifteen years against material or manufacturing defects

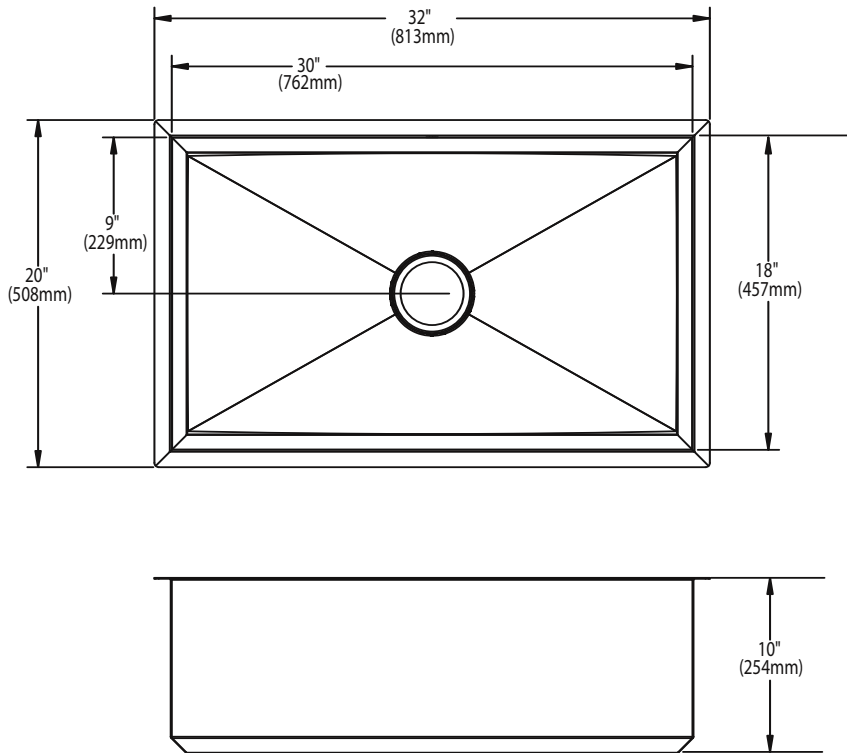
Specifications



**Lancelot® Professional Undermount
Single Bowl Sink
Model: 22380
(UMTL-30" x 18" x 10")**



Installation Detail



CRITICAL DIMENSIONS

(DO NOT SCALE)