



Buy it for looks. Buy it for life.®

Specifications

SINK DESCRIPTION

- Manufactured of ultra durable, scratch resistant granite materials
- Single bowl design, bowl is 12" x 12" x 7-1/2" (the inside corners)
- The bowl has one 2" diameter recessed drain opening
- Includes all necessary mounting hardware (sealant supplied by others)
- This model is designed for under counter mounting, specify Moen Service Kit #100509B which includes mounting hardware, template and installation instructions.

CUT OUT DIMENSIONS

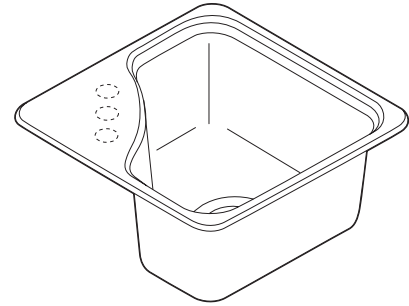
- Cutout is made by installer and should be 14" x 14".
- Order template separately: Order kit #100507B (drop-in and undermount on one template).

STANDARDS

- Third party certified by IAPMO to meet ANSI Z-124.6-97 and all applicable specifications referenced therein.

WARRANTY

- Fifteen year limited warranty against material or manufacturing defects



MoenStone® Bar Sink

Model Numbers:

Standard Colors:

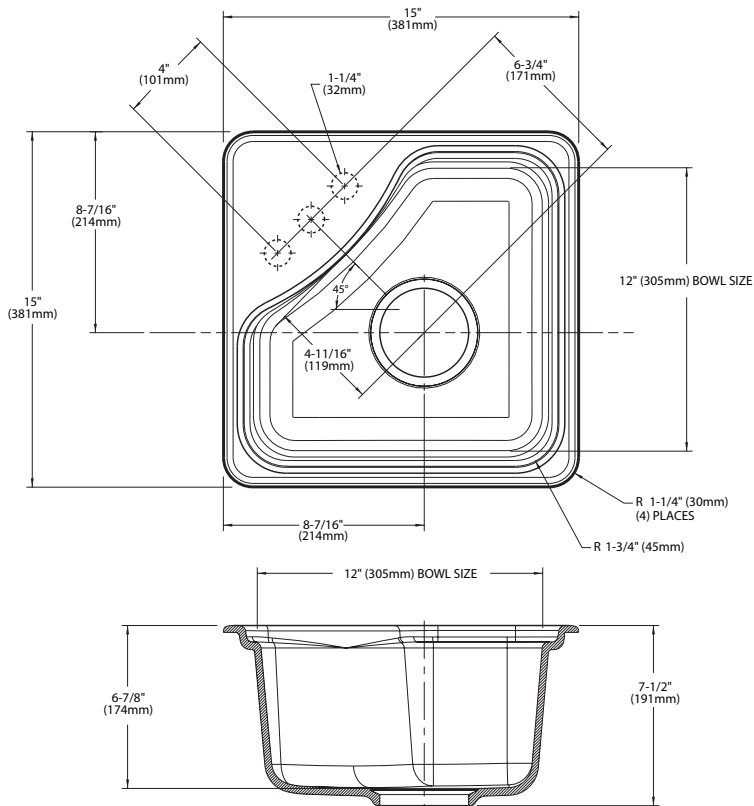
- 25200W **White**
- 25200V **Ivory**
- 25200BK **Black**

Premium Colors:

- 25200BL **Blue**
- 25200M **Metallic**

NOTE: MAXIMUM DECK THICKNESS IS 1-9/16" (40mm)

Accommodates single hole mount or 4" on center mount



CRITICAL DIMENSIONS

(DO NOT SCALE)