



Buy it for looks. Buy it for life.®

FAUCET DESCRIPTION

- Metal construction with chrome plated finish
- Pullout spray with 59" braided hose
- 1/2" IPS connections will accept standard ball nose connection for 3/8" tubing
- Chrome liquid dispenser included with 87315CSD

OPERATION

- Lever style handle
- Temperature controlled by 180° arc of handle travel
- Spout rotation is 145°
- Operates with less than 5lbs. of force
- Operates in stream or spray mode in the pullout or retracted position
- Built-in vacuum breaker

FLOW

- Aerator is limited to 2.2 gpm (8.3 L/min) at 60 psi

CARTRIDGE

- 1225 cartridge design
- Engineered polymers, nonferrous and stainless steel materials

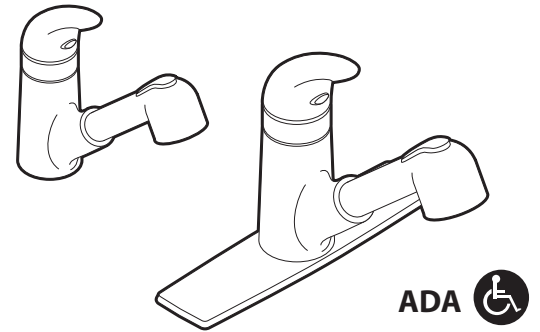
STANDARDS

- Third party certified to ASME A112.18.1/CSA B-125.1, NSF 61 Section 9, California Proposition 65, ICC A117.1 and all applicable requirements referenced therein

WARRANTY

- Lifetime limited warranty against leaks, drips and finish defects to the original consumer purchaser
- 5 year warranty if used in commercial installations

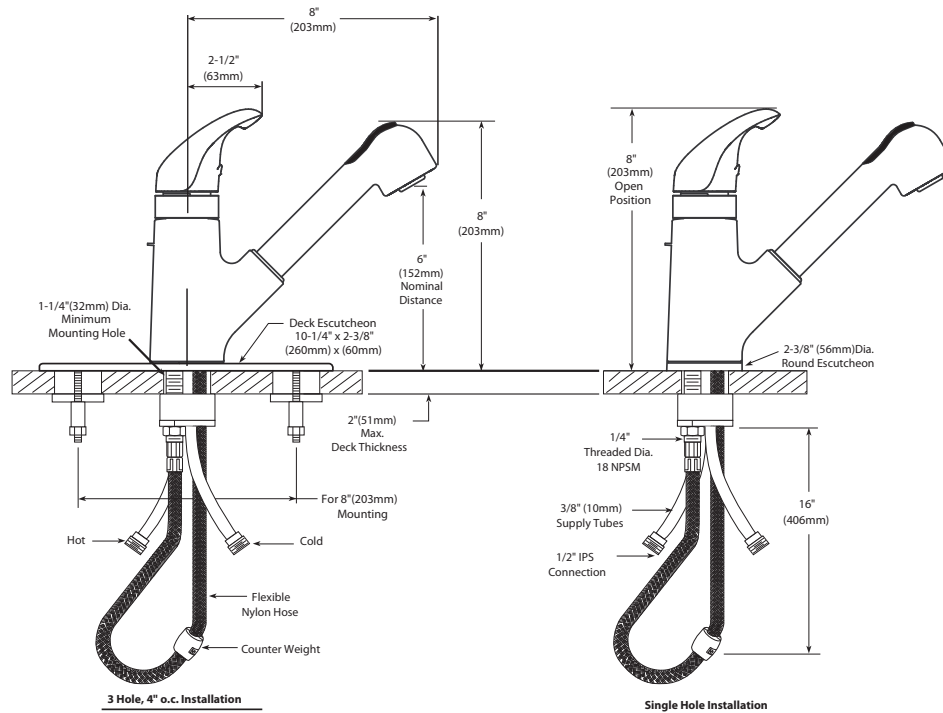
Specifications



Integra™ Single Control Kitchen Pullout Faucet

Models: 87315C, 87315CSD

NOTE: DESIGNED TO INSTALL
THRU 1 OR 3 HOLES 1-1/4" (32mm) MIN. DIA.



CRITICAL DIMENSIONS

(DO NOT SCALE)