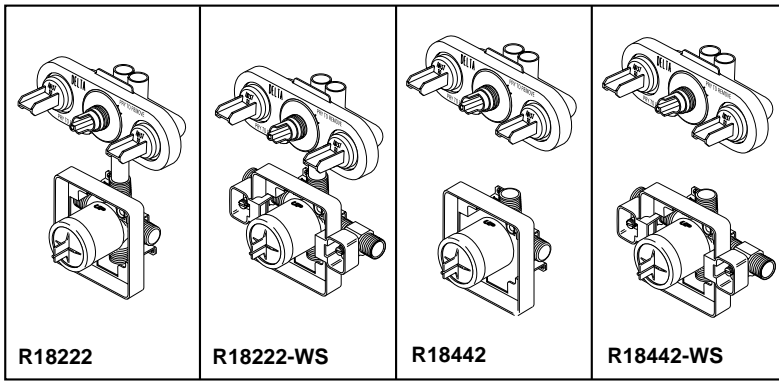




JETTED SHOWER XO™ ROUGH VALVE BODY

- Shower Only (R18222)
- Tub/Shower (R18442)



Submitted Model No.: _____

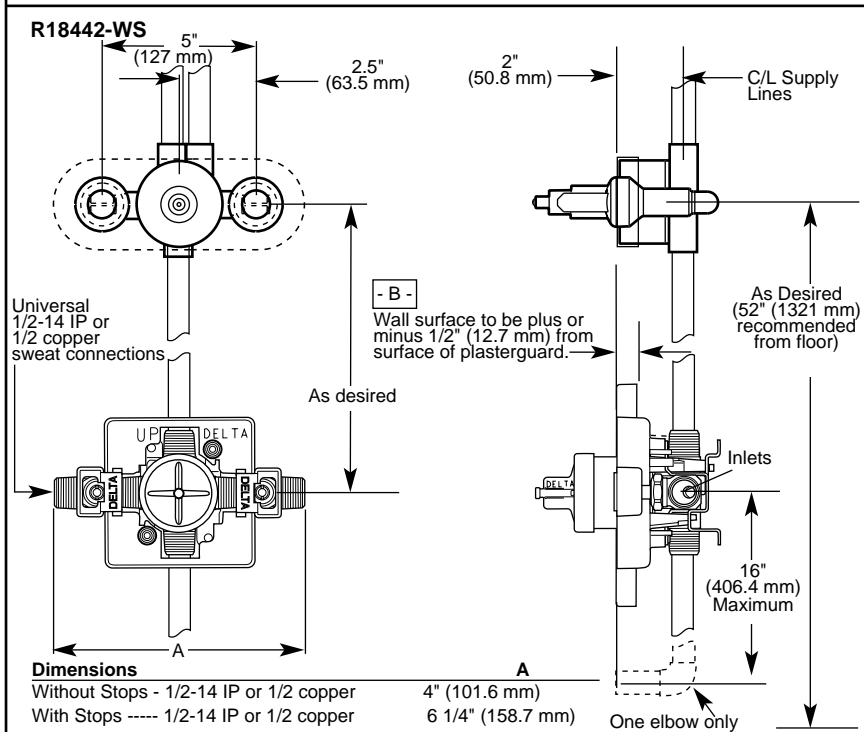
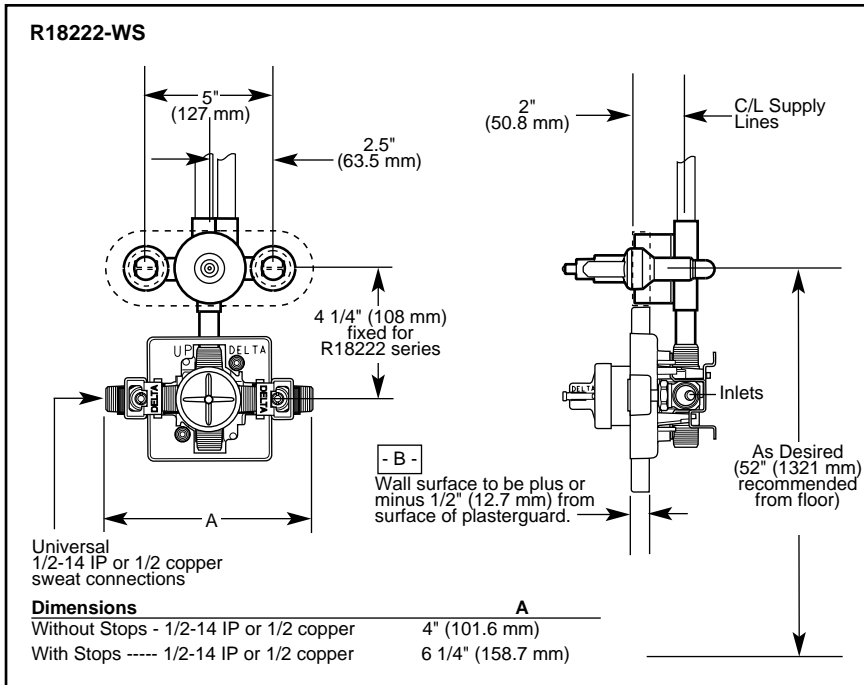
Specific Features: _____

STANDARD SPECIFICATIONS:

- Forged brass body.
- Back-to-back installation capability.
- Can be tested with air (200 psi) or water (300 psi) without cartridge using supplied test cap.
- Adjusts for up to 1" wall thickness.
- Includes 3 port, six position diverter.
- XO = Extra outlet
- R18222 includes prefabricated valve and jet module.
- R18442 includes separately plumbed valve and jet module.
- For use with Multi Choice Universal 18 Series and 18T Series Jetted Shower™ trim. Monitor® 17 Series dual function pressure balanced cartridge ships with 18 Series trim. 17T Series dual function thermostatic cartridge ships with 18T Series trim.

WARRANTY

- Lifetime Faucet and Finish Limited Warranty to the original consumer purchaser to be free from defects in material and workmanship.
- 5 Year Limited Warranty for usage in all industrial, commercial and business applications.



COMPLETE VALVE COMPLIES WITH:

- ASME A112.18.1 / CSA B125.1
- CSA Certified
- IAPMO Listed



Indianapolis, Indiana 46280
A Division of Masco Corporation of Indiana
© 2006 Masco Corporation of Indiana

Delta reserves the right (1) to make changes in specifications and materials, and (2) to change or discontinue models, both without notice or obligation. Dimensions are for reference only. See current full-line price book for finish options and product availability.
DSP-B-R18222 Rev. A