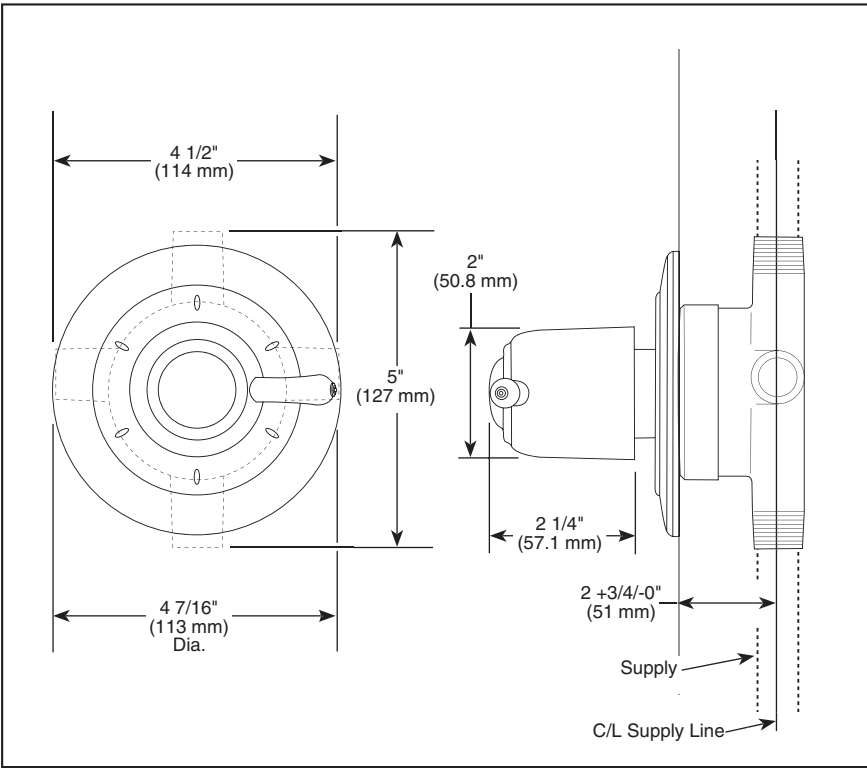


Submitted Model No.: _____

Specific Features: _____



CUSTOM SHOWER DIVERTER

- Innovations® Collection
- Six Function Diverter
- 1/2" Rough-In
- Coordinates With All Delta Innovations® Styled Bath Suites

STANDARD SPECIFICATIONS


- Six function diverter.
- 3 individual positions, 3 shared positions.
- 1/2" rough-in.

WARRANTY

- Lifetime Faucet and Finish Limited Warranty to the original consumer purchaser to be free from defects in material and workmanship.
- 5 Year Limited Warranty for usage in all industrial, commercial and business applications.



COMPLIES WITH:

- ASME A112.18.1 / CSA B125.1
-  Indicates ADA compliance to ICC/ANSI A117.1
- IAPMO Listed
- CSA Certified

Delta reserves the right (1) to make changes in specifications and materials, and (2) to change or discontinue models, both without notice or obligation. Dimensions are for reference only. See current full-line price book for finish options and product availability.

DSP-B-T11630 Rev. A



Indianapolis, Indiana 46280
 A Division of Masco Corporation of Indiana
 © 2007 Masco Corporation of Indiana