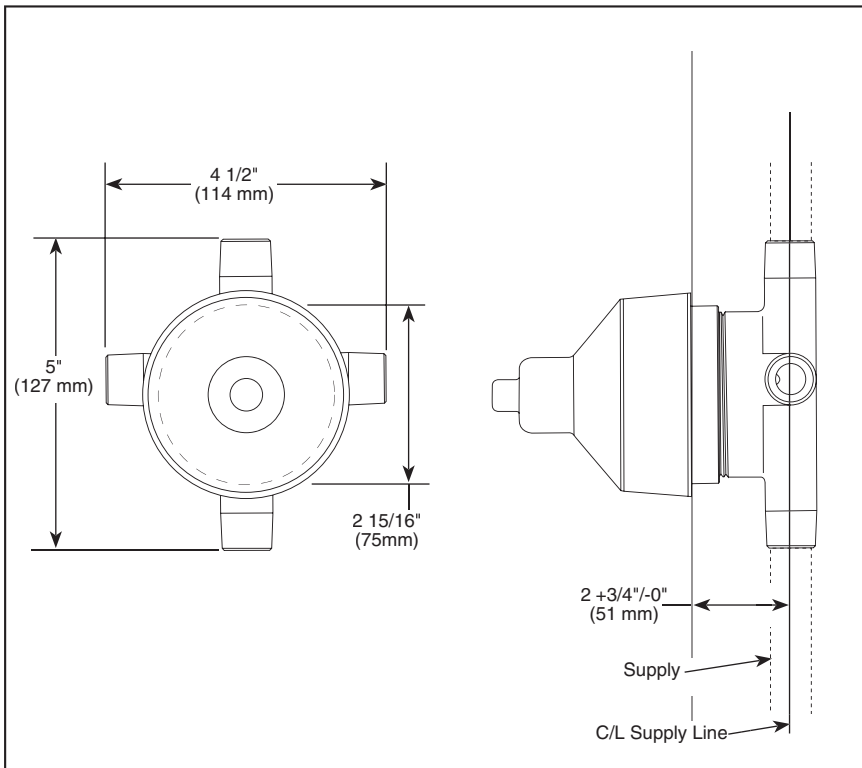


Submitted Model No.: \_\_\_\_\_

Specific Features: \_\_\_\_\_



## ROUGH VALVE BODY

- R11600 (Case Qty. 3)
- Three Port Six Function Diverter Rough
- 1/2" Rough-In

### STANDARD SPECIFICATIONS

- Three port six function diverter.
- 3 individual positions, 3 shared positions.
- 1/2" rough-in.
- Forged brass body.

### WARRANTY

- Lifetime Faucet and Finish Limited Warranty to the original consumer purchaser to be free from defects in material and workmanship.
- 5 Year Limited Warranty for usage in all industrial, commercial and business applications.



### COMPLIES WITH:

- ASME A112.18.1 / CSA B125.1
- IAPMO Listed
- CSA Certified

Delta reserves the right (1) to make changes in specifications and materials, and (2) to change or discontinue models, both without notice or obligation. Dimensions are for reference only. See current full-line price book or [www.specselect.com](http://www.specselect.com) for finish options and product availability.

DSP-B-R11600 Rev. A



55 E. 111th Street, Indianapolis, Indiana 46280  
 395 Matheson Blvd. E., Mississauga, ON L4Z 2H2  
 © 2007 Masco Corporation of Indiana