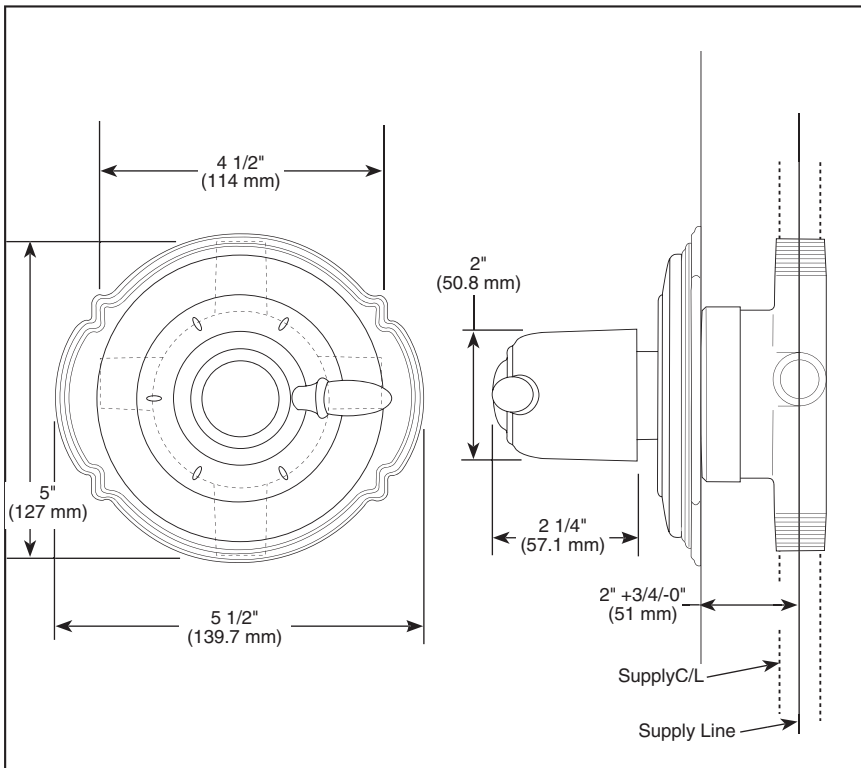


T11655



Submitted Model No.: \_\_\_\_\_

Specific Features: \_\_\_\_\_



## CUSTOM SHOWER DIVERTER

- Victorian® Collection
- Six Function Diverter
- 1/2" Rough-In
- Coordinates With All Delta Victorian® Styled Bath Suites

### STANDARD SPECIFICATIONS


- Six function diverter.
- 3 individual positions, 3 shared positions.
- 1/2" rough-in.

### WARRANTY

- Lifetime Faucet and Finish Limited Warranty to the original consumer purchaser to be free from defects in material and workmanship.
- 5 Year Limited Warranty for usage in all industrial, commercial and business applications.



### COMPLIES WITH:

- ASME A112.18.1 / CSA B125.1
-  Indicates ADA compliance to ICC/ANSI A117.1
- IAPMO Listed
- CSA Certified

Delta reserves the right (1) to make changes in specifications and materials, and (2) to change or discontinue models, both without notice or obligation. Dimensions are for reference only. See current full-line price book or [www.specselect.com](http://www.specselect.com) for finish options and product availability.

DSP-B-T11655 Rev. A



55 E. 111th Street, Indianapolis, Indiana 46280  
 395 Matheson Blvd. E., Mississauga, ON L4Z 2H2  
 © 2007 Masco Corporation of Indiana