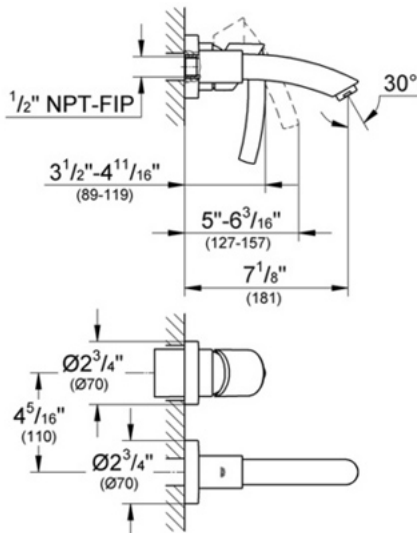


Tenso 19 293

2-Hole Wall Mount Vessel Trim



Description

Single lever handle
Ceramic cartridge
7 1/8" spout

Requires vessel rough-in valve 33 780.

For vessel sink pop-up drain, see 28 754.

Flow Rate

na

Code Compliance

- * ASME/ANSI A112.18.1M
- * ADA Compliant

Finish Options

- 19 293 OOO Chrome
- 19 293 AVO Infinity Satin Nickel
- 19 293 ENO Infinity Brushed Nickel