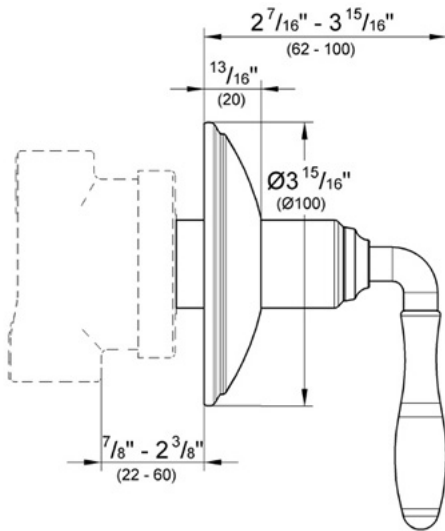


Seabury 19 221

3-port Diverter Trim



Description

1 inlet, 2 outlets
Seabury lever handle

For use with 29 712 diverter rough-in valve.

Flow Rate

NA

Code Compliance

- * ASME/ANSI A112.18.1M
- * ADA Compliant

Finish Options

- 19 221 OOO Chrome
- 19 221 ROO Infinity Polished Brass
- 19 221 AVO Infinity Satin Nickel
- 19 221 RRO Velour Chrome
- 19 221 BEO Sterling Infinity Finish
- 19 221 ENO Infinity Brushed Nickel
- 19 221 ZBO Oil Rubbed Bronze