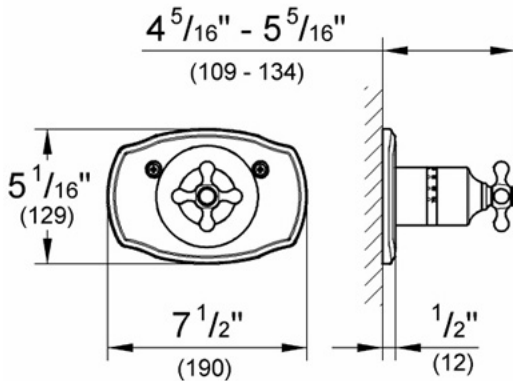


Seabury 19 612

Thermostat trim with cross handle



Description

Cross handle
Requires separate volume control
For use with Grohtherm 34 122 (1/2") or
34 124 (3/4") thermostat rough-in valve

Flow Rate

N/A

Code Compliance

* ASME/ANSI A112.18.1M

Finish Options

19 612 OOO Chrome
19 612 ROO Infinity Polished Brass
19 612 AVO Infinity Satin Nickel
19 612 RRO Velour Chrome
19 612 BEO Sterling Infinity Finish
19 612 ENO Infinity Brushed Nickel
19 612 ZBO Oil Rubbed Bronze