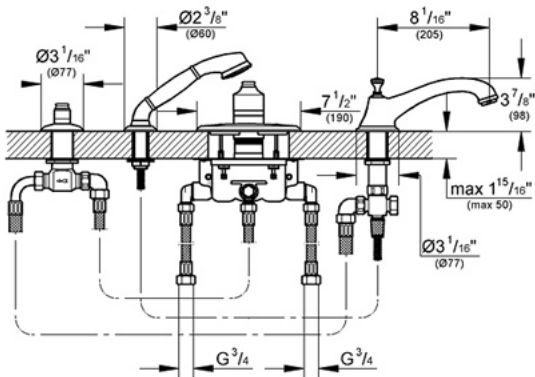


# Seabury 19 045

## Thermostatic Roman Tub Filler



### Description

4-hole deck-mount installation  
 3/4" thermostatic mixing valve  
 GROHE TurboStat® Technology  
 GROHE SilkMove® ceramic cartridge  
 8 3/4" diverter spout  
 Hand shower  
 79" hand shower hose  
 Volume control included  
 Flexible stainless steel braided hoses  
 Service stops

Sold less handles. Shown with both Seabury cross handles (19 205) and lever handles (19 204). These handles are exclusive to the thermostatic tub filler.

### Flow Rate

8 gpm at 45 psi (thermostat valve)  
 2.5 gpm at 80 psi (hand shower)

### Code Compliance

- \* ASME/ANSI A112.18.1M
- \* ASSE Standard 1016

### Finish Options

- 19 045 OOO Chrome
- 19 045 ROO Infinity Polished Brass
- 19 045 AVO Infinity Satin Nickel
- 19 045 RRO Velour Chrome
- 19 045 BEO Sterling Infinity Finish
- 19 045 ENO Infinity Brushed Nickel
- 19 045 ZBO Oil Rubbed Bronze