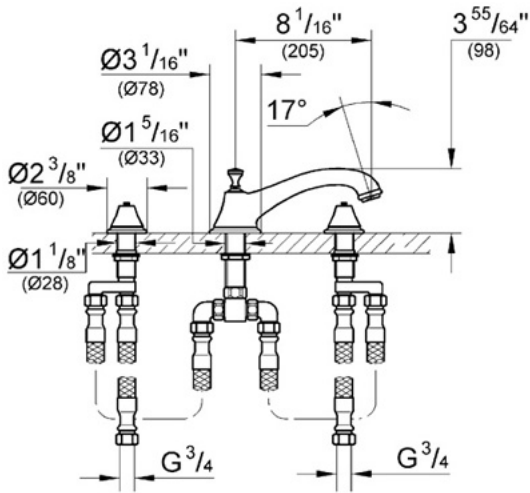


# Seabury 25 055

## Roman tub filler



### Description

8 1/16" spout  
3-hole installation  
GROHE SilkMove® ceramic cartridges  
Flexible stainless steel braided hoses connect all components and valves to supply.

Sold less handles. Shown with both Seabury cross handles (18 731) and Seabury lever handles (18 732).

### Flow Rate

NA

### Code Compliance

- \* ASME/ANSI A112.18.1M
- \* ADA Compliant

### Finish Options

- 25 055 OOO Chrome
- 25 055 ROO Infinity Polished Brass
- 25 055 AVO Infinity Satin Nickel
- 25 055 RRO Velour Chrome
- 25 055 BEO Sterling Infinity Finish
- 25 055 ENO Infinity Brushed Nickel
- 25 055 ZBO Oil Rubbed Bronze