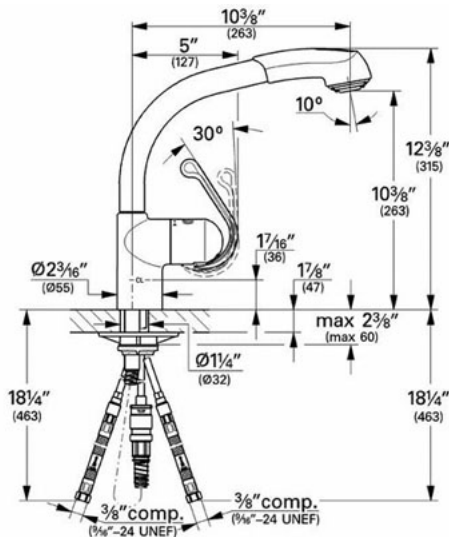


# Ladylux Plus 33 737

## High Profile Pull Out



### Description

Dual Spray Pull-Out  
 360° swivel spout  
 Dual spray control - switches back and forth between regular flow and spray  
 SpeedClean anti-lime system  
 Ceramic cartridge  
 56" extractable hose  
 10 3/8" spout reach  
 Quick installation system  
 Stainless steel braided flexible supplies  
 Integral check valves  
 Single hole installation

Installation note: For full handle movement when mounted in front of a wall or backsplash, this faucet must be installed with no less than 3 1/4" of clearance between the faucet and backsplash or wall, unless the faucet is installed with the handle facing forward (handle opposite the wall).

IAPMO File #1750

### Flow Rate

2.2 gpm at 60 psi,  
 2.5 gpm at 80 psi (9.5 lpm)

### Code Compliance

- \* ASME/ANSI A112.18.1M
- \* ANSI/NSF Standard 61
- \* ADA Compliant

### Finish Options

33 737 OOO Chrome  
 33 737 IBO Chrome/Soft Black  
 33 737 DCO SuperSteel