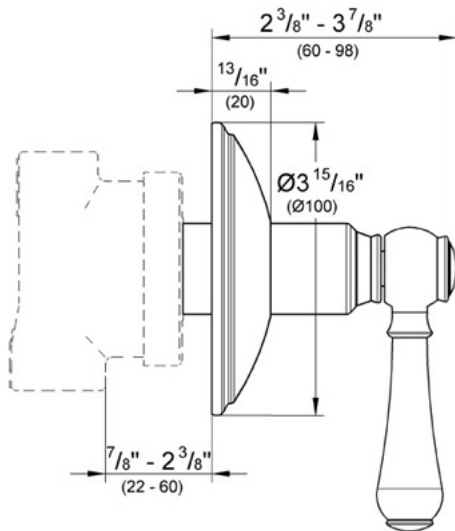


Geneva 19 220

3-port Diverter Trim



Description

1 inlet, 2 outlets
Geneva brass or porcelain lever handle

For use with 29 712 diverter rough-in valve.

Flow Rate

NA

Code Compliance

- * ASME/ANSI A112.18.1M
- * ADA Compliant

Finish Options

- 19 220 OOO Chrome
- 19 220 ROO Infinity Polished Brass
- 19 220 AVO Infinity Satin Nickel
- 19 220 RRO Velour Chrome
- 19 220 BEO Sterling Infinity Finish
- 19 220 BAO Chrome/Porcelain
- 19 220 MAO Polished Brass/Porcelain
- 19 220 HAO Satin Nickel/Porcelain
- 19 220 PAO Sterling/Porcelain
- 19 220 BPO Brushed Nickel/Porcelain
- 19 220 ENO Infinity Brushed Nickel
- 19 220 ZBO Oil Rubbed Bronze