

Geneva 19 044

Thermostatic Roman Tub Filler



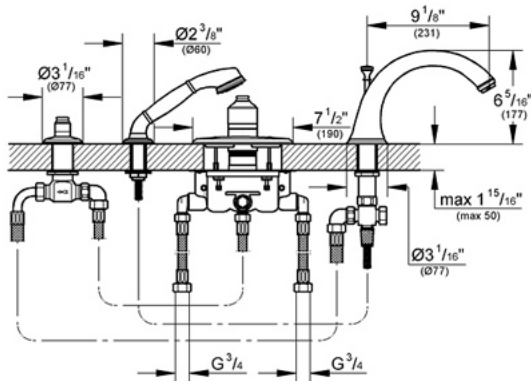
Description

4-hole deck-mount installation
 3/4" thermostatic mixing valve
 GROHE TurboStat® Technology
 GROHE SilkMove® ceramic cartridge
 10" diverter spout
 Hand shower
 79" hand shower hose
 Volume control included
 Flexible stainless steel braided hoses
 Service stops

Sold less handles. Shown with both Geneva cross handles (19 207) and lever handles (19 208). These handles are exclusive to the thermostatic tub filler.

Flow Rate

8 gpm at 45 psi (thermostat valve)
 2.5 gpm at 80 psi (hand shower)



Code Compliance

- * ASME/ANSI A112.18.1M
- * ASSE Standard 1016

Finish Options

- 19 044 OOO Chrome
- 19 044 ROO Infinity Polished Brass
- 19 044 AVO Infinity Satin Nickel
- 19 044 RRO Velour Chrome
- 19 044 BEO Sterling Infinity Finish
- 19 044 ENO Infinity Brushed Nickel
- 19 044 ZBO Oil Rubbed Bronze