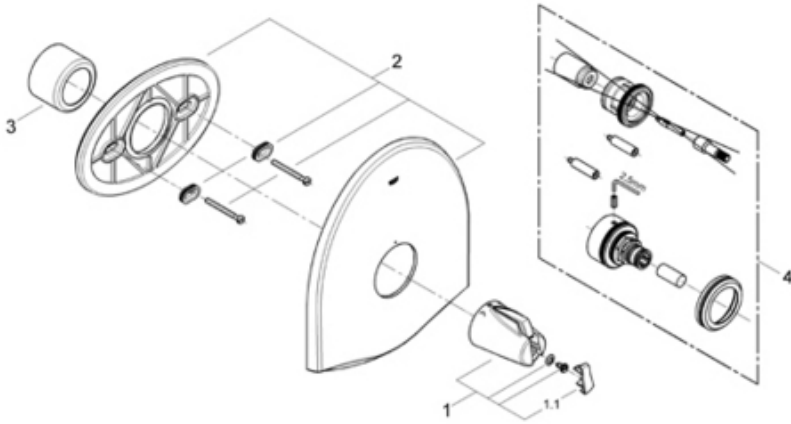


**Exploded View**



**Parts Breakdown**

Pos No.	Spare Part Description	Product No.	Pcs.
	<b>19 185</b>		
1	Temperature handle	47 716	1
1.1	Handle cover cap	11 366	1
2	Escutcheon plate	47 698	1
3	Body sleeve	04 952	1
	<b>Special Accessories</b>		
4	Extension kit	47 653	1