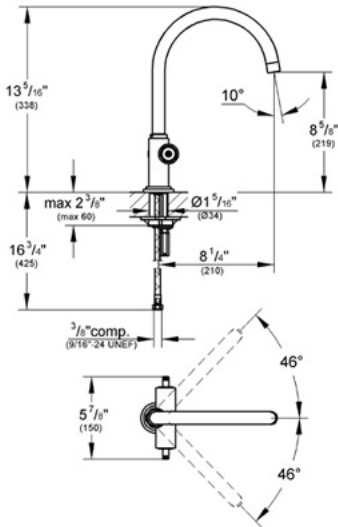


Atrio 31 001

Atrio High Profile Dual Handle Lever



Description

8 1/4" hi-arc swivel spout
Solid brass
GROHE SilkMove® ceramic cartridges
Stainless steel braided supply hoses

Sold less handles. Shown with both Trio spoke handles (18 026) and lever handle (18 027).

Flow Rate

2.2 gpm at 60 psi,
2.5 gpm at 80 psi

Code Compliance

- * ASME/ANSI A112.18.1M
- * ANSI/NSF Standard 61
- * ADA Compliant

Finish Options

- 31 001 000 Chrome
- 31 001 AVO Infinity Satin Nickel
- 31 001 ENO Infinity Brushed Nickel