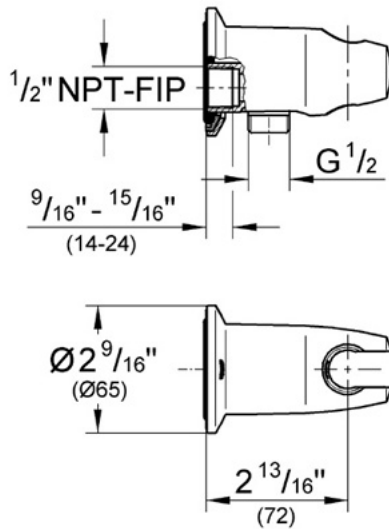


Accessories 28 484

Wall Union with Hand Shower Holder



Description

Inlet: 1/2" NPT female thread

Flow Rate

NA

Code Compliance

* ASME/ANSI A112.18.1M

Finish Options

- 28 484 OOO Chrome
- 28 484 ROO Infinity Polished Brass
- 28 484 AVO Infinity Satin Nickel
- 28 484 RRO Velour Chrome
- 28 484 BEO Sterling Infinity Finish
- 28 484 ENO Infinity Brushed Nickel
- 28 484 ZBO Oil Rubbed Bronze