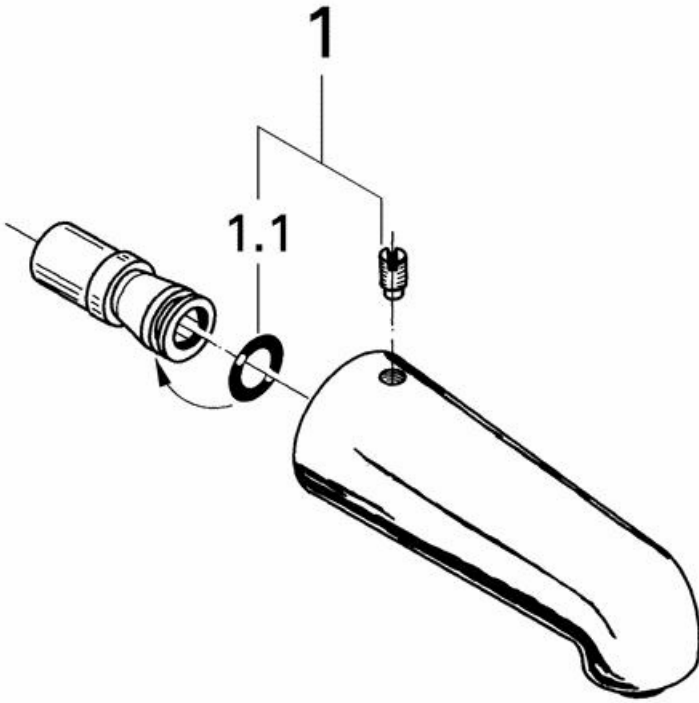


**Exploded View**



**Parts Breakdown**

Pos No.	Spare Part Description	Product No.	Pcs.
	<b>28 465</b>		
1	Screw & o-ring	45 137	1
1.1	O-ring	01 284	1