



# 27" (68.6 CM) ELECTRIC SINGLE AND DOUBLE BUILT-IN OVEN

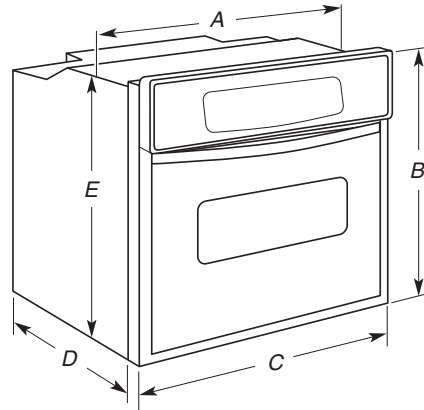
## PRODUCT MODEL SERIES

GBD277PR      RBD275PR  
 GBS277PR      RBS275PR

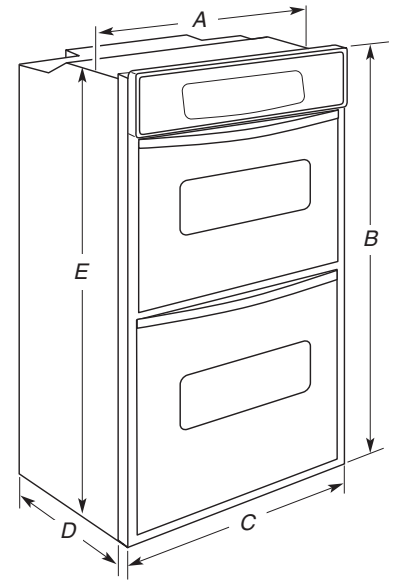
**Electrical:** Oven must be connected to the proper electrical voltage and frequency as specified on the model/serial number rating plate. (The model/serial number rating plate is located on the oven door or on the oven frame.) Models rated from 7.3 to 9.6 kW at 240 volts (5.5 to 7.2 kW at 208 volts) require a separate 40-amp circuit. Models rated at 7.2 kW and below at 240 volts (5.4 kW and below at 208 volts) require a separate 30-amp circuit.

A time-delay fuse or circuit breaker is recommended. Connect directly to the fused disconnect (or circuit breaker box) through flexible, armored or nonmetallic sheathed, copper cable (with grounding wire).

## OVERALL DIMENSIONS



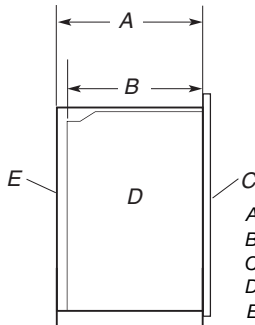
- A. 25<sup>3</sup>/<sub>8</sub>" (64.5 cm) max. recessed width
- B. 29" (73.7 cm) max. overall height
- C. 26<sup>3</sup>/<sub>4</sub>" (67.9 cm) overall width
- D. 23" (58.4 cm) max. recessed depth
- E. 27<sup>1</sup>/<sub>2</sub>" (69.9 cm) recessed height



- A. 25<sup>3</sup>/<sub>8</sub>" (64.5 cm) max. recessed width
- B. 51" (129.5 cm) max. overall height
- C. 26<sup>3</sup>/<sub>4</sub>" (67.9 cm) overall width
- D. 23" (58.4 cm) max. recessed depth
- E. 49<sup>1</sup>/<sub>2</sub>" (125.7 cm) recessed height

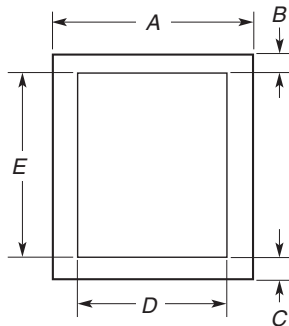
## CABINET OPENING DIMENSIONS

**Cabinet Side View -  
Double or Single Oven**



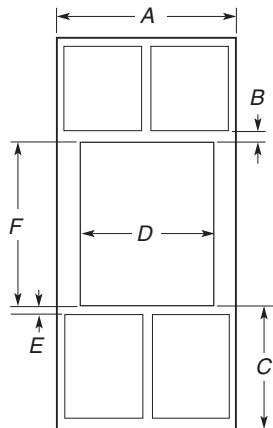
- A. 23<sup>1</sup>/<sub>4</sub>" (59.1 cm) min. cutout depth
- B. 23" (58.4 cm) recessed oven depth
- C. Oven front
- D. Recessed oven
- E. Cabinet

**Single Oven Undercounter  
(without cooktop installed above)**



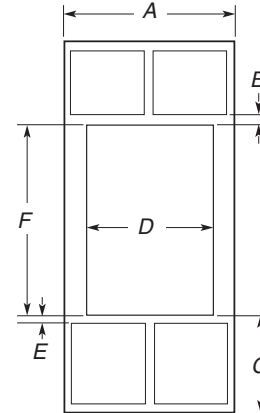
- A. 27" (68.6 cm) min. cabinet width
- B. 1<sup>1</sup>/<sub>2</sub>" (3.8 cm) min. top of cutout to underside of countertop
- C. 5<sup>1</sup>/<sub>4</sub>" (13.3 cm) bottom of cutout to floor
- D. 25<sup>1</sup>/<sub>2</sub>" (64.8 cm) cutout width
- E. 27<sup>3</sup>/<sub>4</sub>" (70.5 cm) min. cutout height

**Single Oven Installed in Cabinet**



- A. 27" (68.6 cm) min. cabinet width
- B. 1" (2.5 cm) top of cutout to bottom of upper cabinet door
- C. 32" (81.3 cm) bottom of cutout to floor
- D. 25<sup>1</sup>/<sub>2</sub>" (64.8 cm) cutout width
- E. 1<sup>1</sup>/<sub>2</sub>" (3.8 cm) min. bottom of cutout to top of cabinet door
- F. 27<sup>3</sup>/<sub>4</sub>" (70.5 cm) min. cutout height

**Double Oven Installed in Cabinet**

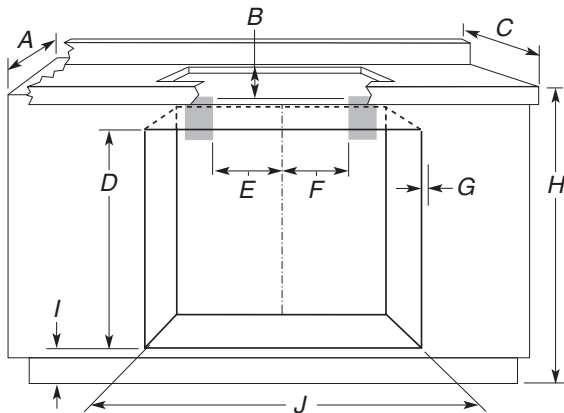


- A. 27" (68.6 cm) min. cabinet width
- B. 1" (2.5 cm) top of cutout to bottom of upper cabinet door
- C. 14<sup>3</sup>/<sub>4</sub>" (37.5 cm) bottom of cutout to floor
- D. 25<sup>1</sup>/<sub>2</sub>" (64.8 cm) cutout width
- E. 1<sup>1</sup>/<sub>2</sub>" (3.8 cm) min. bottom of cutout to top of cabinet door
- F. 49<sup>3</sup>/<sub>4</sub>" (126.4 cm) min. cutout height

# CUTOUT DIMENSIONS FOR OVENS INSTALLED UNDER COOKTOP U.S.A. ONLY

**IMPORTANT:** Observe all governing codes and ordinances. Cooktop must be approved for use over an oven. See Cooktop Installation Instructions for cutout dimensions. Center the cooktop cutout over oven cutout. The junction box for the oven can be installed on either side of the cutout area. The shaded area not used for the oven junction box is recommended for a junction box for the cooktop.

## Approved Built-In Oven and Electric Cooktop Combinations



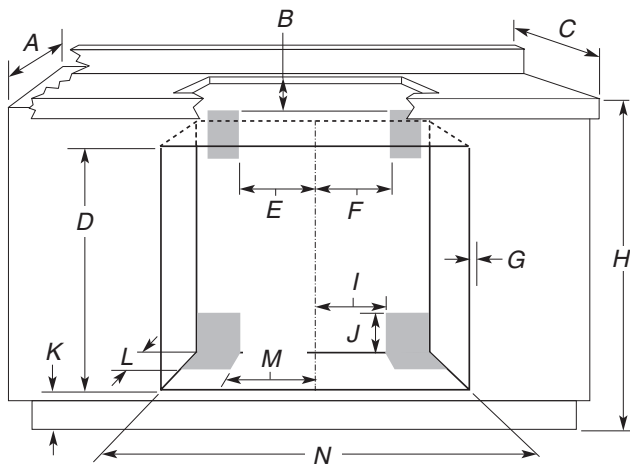
For the approved model number combinations refer to the undercounter label located on top of the oven chassis and on the bottom of the cooktop burner box.

- A. 24" (61 cm) cabinet depth
- B. 4" (10.2 cm) to top of countertop
- C. 25" (63.5 cm) countertop depth
- D. 27<sup>3</sup>/<sub>4</sub>" (70.5 cm) minimum cutout height
- E. Junction box 9" (22.9 cm) to center of cutout
- F. Junction box 9" (22.9 cm) to center of cutout
- G. Allow <sup>5</sup>/<sub>8</sub>" (1.6 cm) for oven trim to overlap on each side.
- H. 36" (91.4 cm) from cabinet base to countertop
- I. 4<sup>5</sup>/<sub>8</sub>" (11.7 cm) from floor
- J. See Cutout Dimensions chart.

### CUTOUT DIMENSIONS

Oven Size	Oven Cutout Dimension
24" (61 cm)	22 <sup>1</sup> / <sub>2</sub> " (57.2 cm)
27" (68.6 cm)	25 <sup>1</sup> / <sub>2</sub> " (64.8 cm)
30" (76.2 cm)	28 <sup>1</sup> / <sub>2</sub> " (72.4 cm)
36" (91.4 cm)	34 <sup>1</sup> / <sub>2</sub> " (87.6 cm)

## Approved Built-In Oven and Gas Cooktop Combinations



For the approved model number combination refer to the undercounter label located on top of the oven chassis.

- A. 24" (61 cm) cabinet depth
- B. 4" (10.2 cm) to top of countertop
- C. 25" (63.5 cm) countertop depth
- D. 27<sup>3</sup>/<sub>4</sub>" (70.5 cm) minimum cutout height
- E. Junction box 9" (22.9 cm) to center of cutout
- F. Junction box 9" (22.9 cm) to center of cutout
- G. Allow <sup>5</sup>/<sub>8</sub>" (1.6 cm) for oven trim to overlap on each side.
- H. 36" (91.4 cm) from cabinet base to countertop
- I. Gas line through wall 9" (22.9 cm) to center of cutout
- J. 3<sup>3</sup>/<sub>4</sub>" (8.26 cm)\*
- K. 4<sup>5</sup>/<sub>8</sub>" (11.7 cm) from floor
- L. 3<sup>3</sup>/<sub>4</sub>" (8.26 cm)\*
- M. Gas line through floor 9" (22.9 cm) to center of cutout
- N. See Cutout Dimensions chart.

### CUTOUT DIMENSIONS

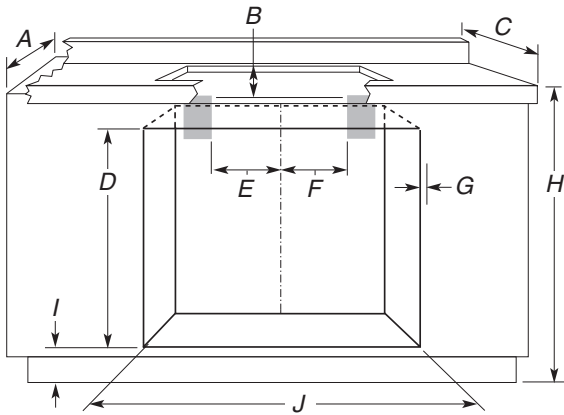
Oven Size	Oven Cutout Dimension
24" (61 cm)	22 <sup>1</sup> / <sub>2</sub> " (57.2 cm)
27" (68.6 cm)	25 <sup>1</sup> / <sub>2</sub> " (64.8 cm)
30" (76.2 cm)	28 <sup>1</sup> / <sub>2</sub> " (72.4 cm)
36" (91.4 cm)	34 <sup>1</sup> / <sub>2</sub> " (87.6 cm)

**\*NOTE:** Lower shaded areas are recommended locations for flexible or rigid gas pipe installation. The gas pipe can be installed on either side of the cutout, and either through the floor or through the wall. The shaded area not used for oven junction box is recommended for 120-volt grounded outlet for cooktop.

# CUTOUT DIMENSIONS FOR OVENS INSTALLED UNDER COOKTOP CANADA ONLY

**IMPORTANT:** Observe all governing codes and ordinances. Cooktop must be approved for use over an oven. See Cooktop Installation Instructions for cutout dimensions. Center the cooktop cutout over oven cutout. The junction box for the oven can be installed on either side of the cutout area. The shaded area not used for the oven junction box is recommended for a junction box for the cooktop.

## Approved Built-In Ovens and Electric Cooktops



For the approved model number combination refer to the undercounter label located on top of the oven chassis and on the bottom of the cooktop burner box.

**NOTE:** The installation of gas cooktops and oven combinations is not approved for use in Canada.

- A. 24" (61 cm) cabinet depth
- B. 4" (10.2 cm) to top of countertop
- C. 25" (63.5 cm) countertop depth
- D. 27<sup>3</sup>/<sub>4</sub>" (70.5 cm) minimum cutout height
- E. Junction box 9" (22.9 cm) to center of cutout
- F. Junction box 9" (22.9 cm) to center of cutout
- G. Allow <sup>5</sup>/<sub>8</sub>" (1.6 cm) for oven trim to overlap on each side.
- H. 36" (91.4 cm) from cabinet base to countertop
- I. 4<sup>5</sup>/<sub>8</sub>" (11.7 cm) from floor
- J. See Cutout Dimensions chart.

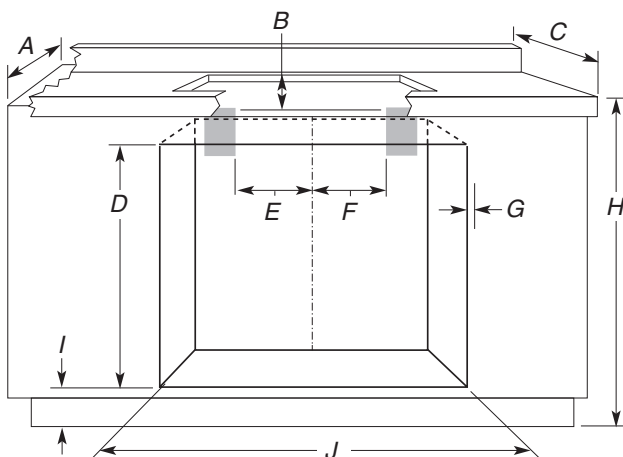
### CUTOUT DIMENSIONS

Oven Size	Oven Cutout Dimension
27" (68.6 cm)	25 <sup>1</sup> / <sub>2</sub> " (64.8 cm)
30" (76.2 cm)	28 <sup>1</sup> / <sub>2</sub> " (72.4 cm)

# FOUR INSTALLÉ SOUS LA TABLE DE CUISSON - DIMENSIONS POUR L'OUVERTURE À DÉCOUPER - CANADA SEULEMENT

**IMPORTANT :** Observer toutes les dispositions des codes et règlements en vigueur. La table de cuisson doit être homologuée pour l'utilisation au-dessus d'un four. Pour les dimensions de l'ouverture à découper, voir les "Instructions d'installation de la table de cuisson". Centrer l'ouverture à découper pour la table de cuisson par rapport à l'ouverture découpée pour le four. On peut installer le boîtier de connexion pour le four d'un côté ou de l'autre de l'ouverture découpée. On recommande d'utiliser pour le boîtier de connexion de la table de cuisson la zone grisée qui n'est pas été utilisée pour le boîtier de connexion du four.

## Combinaisons table de cuisson/four encastré (produits homologués)



Pour connaître les combinaisons approuvées par numéro de modèle, consulter l'étiquette située sur la partie supérieure du châssis du four et au fond de la boîte de brûleur de la table de cuisson.

**REMARQUE :** L'installation de combinaisons table de cuisson à gaz/four n'est pas approuvée pour utilisation au Canada.

- A. Profondeur de placard 24" (61 cm)
- B. 4" (10,2 cm) jusqu'au sommet du plan de travail
- C. Profondeur du plan de travail 25" (63,5 cm)
- D. Hauteur minimale de l'ouverture à découper 27<sup>3</sup>/<sub>4</sub>" (70,5 cm)
- E. Boîtier de connexion 9" (22,9 cm) jusqu'au centre de l'ouverture découpée
- F. Boîtier de connexion 9" (22,9 cm) jusqu'au centre de l'ouverture découpée
- G. Prévoir <sup>5</sup>/<sub>8</sub>" (1,6 cm) pour le chevauchement de la garniture du four, de chaque côté.
- H. 36" (91,4 cm) entre la base du placard et le plan de travail
- I. 4<sup>5</sup>/<sub>8</sub>" (11,7 cm) depuis le plancher
- J. Voir le tableau Dimensions de l'ouverture à découper.

### OUVERTURE À DÉCOUPER - DIMENSIONS

Taille du four	Ouverture à découper pour le four
27" (68,6 cm)	25 <sup>1</sup> / <sub>2</sub> " (64,8 cm)
30" (76,2 cm)	28 <sup>1</sup> / <sub>2</sub> " (72,4 cm)

8303946

© 2005.  
All rights reserved.  
Tous droits réservés.

7/05  
Printed in U.S.A.  
Imprimé aux É.-U.