



- NP
- MW
- SW
- RD
- BL
- OL
- EB
- SG
- SM
- PG
- PM
- CG
- CM

# APCL-306.01

## Newbury

Designer - Catherine Le Téo

### • Mounting

Ceiling mount on octagonal J-Box (4x4)

### • Material

Fibre Reinforced Plaster™ and Polycarbonate

### • Lamp type (lamps not included)



CFM36W 2G10  
Compact Fluorescent, F-Lamp T5, 4-Pin

### • Voltage and Ballast

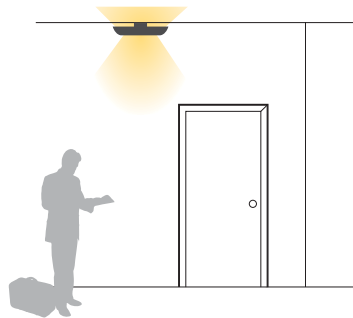
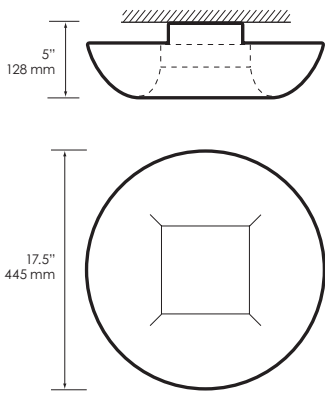
- All our fluorescent lighting fixtures are available in 120 or 277 Volts
- All our ballasts are electronic and are less than 10% THD
- For 347 Volt ballast, please consult the factory
- For electronic dimming ballast, please consult the factory

### • Dimensions (Diameter x Height)

17.5" x 5"

### • Weight

14.3 lbs.



Companion Luminaire



**Newbury**  
**APWS-112.01**  
p. 20  
"Architectural Plaster"



## HOW TO SPECIFY

SERIES	MODEL#	LAMP TYPE	VOLTAGE	FINISH
APCL	306.01	➔ _____	➔ _____	➔ _____
		CFM36W	120 = 120 Volts 277 = 277 Volts	NP = NATURAL PLASTER MW = MATTE WHITE SW = SATIN WHITE RD = RED BL = BLUE OL = OLIVE EB = EBONY SG = SILVER GLOSS SM = SILVER MATTE PG = PLATINUM GLOSS PM = PLATINUM MATTE CG = COPPER GLOSS CM = COPPER MATTE
Architectural Plaster Ceiling				