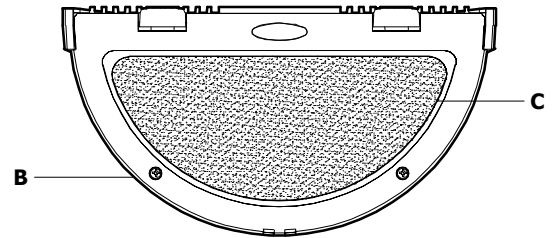


**CONSTRUCTION**

- A** Housing - Consists of two sturdy moulded aluminium parts. The wall plate has integrated heat dissipation ribs. An internal plate equipped with hinges and made of steel provides access to the ballast and its electrical components.
- B** Lens frame - Made of one piece moulded aluminium of heavy thickness and includes a hinge system in order to offer easy and fast access to the lamp. The frame is fixed using two captive stainless steel screws and wedges a high-strength silicone gasket that ensures sealing of the luminaire and prevents dust from infiltrating.

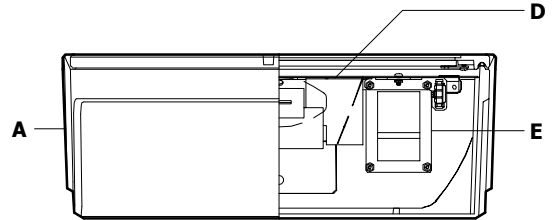
**OPTICS**

- C** Top lens - Made of clear, micro-prismatic and heat resistant tempered glass.
  - Convex lens - Made of borosilicate glass.
- D** Reflector - Made of segmented hammertone and semi-specular aluminium for multi-image duplication of the luminous arc. Offers a photometric distribution (100% upwards), (narrow beam downwards only), (narrow beam downwards and normal upwards).



**ELECTRICAL COMPONENTS**

- E** Ballast - Easily accessible, the ballast is mounted on a removable heavy gauge galvanized steel tray, is equipped with a quick disconnect wiring system and is factory pre wired and tested. It has a high power-factor of 90% or more and is either CWA, CWI, HX, or reactor type. All electrical components are CSA and UL approved.
- E** Electronic ballast - Easily accessible, the ballast is mounted on a removable heavy gauge galvanized steel tray, is equipped with a quick disconnect wiring system and is factory pre wired and tested. It has a high power-factor and is of high frequency electronic type. All electrical components are CSA and UL approved.
  - Socket - Made of porcelain, medium base and 4KV pulse rated (lamp not included).
  - Socket - Made of injection moulded plastic, of GX24q type for lamp PL-T with four pins (lamp not included).



**FINISH**

- All surfaces are chemically treated against corrosion through a multi-stage immersion process. The polyester powder finish is applied by a thermostatic process offering an excellent protection conforming to ASTM G7, D-2247 and B-117/D-1654 standards. Standard colours are black, bronze and white with a textured finish. Consult SDL's "Colour Selection Guide" for others.

**OPTIONS**

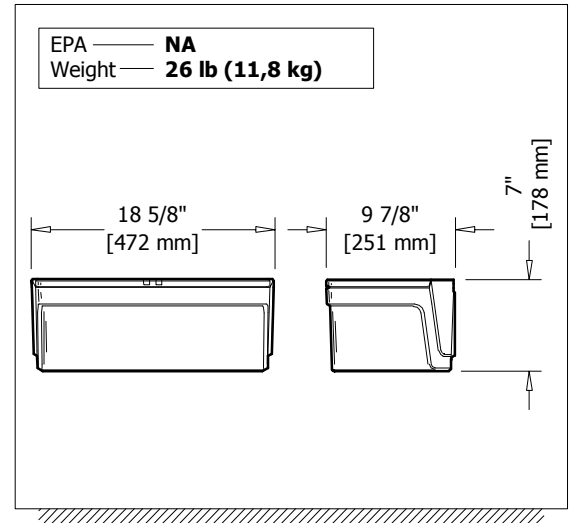
- Photoelectric cell - Integrated in a button type polymer housing. CSA and UL approved.

**HARDWARE**

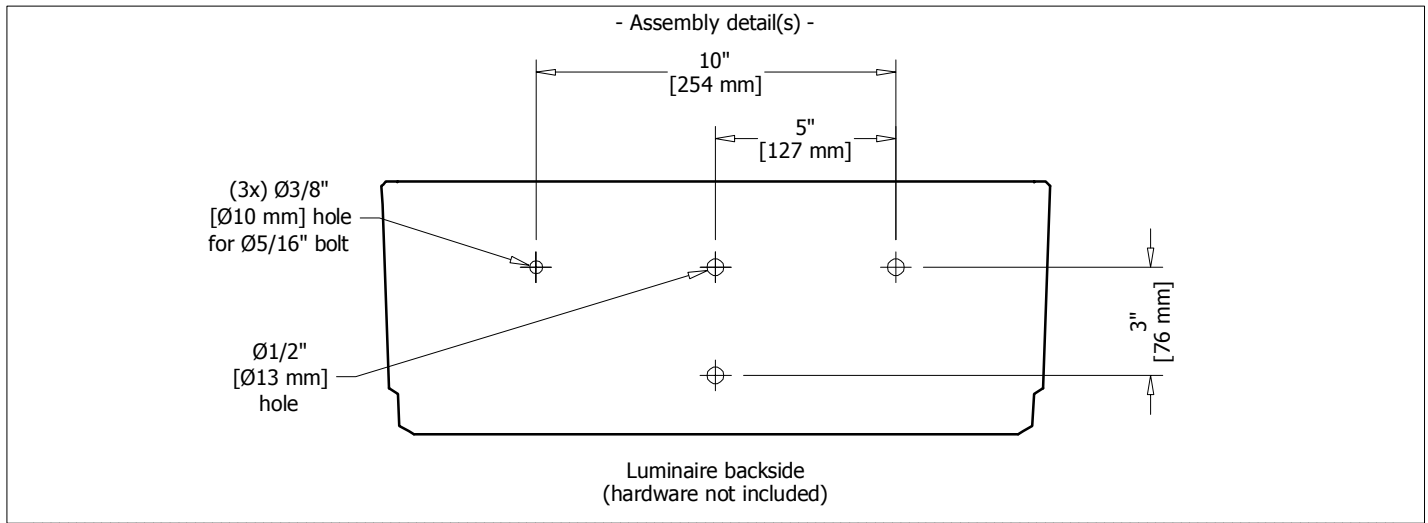
- All exterior hardware is made of stainless steel.

**WARRANTY**

- This product has a three year warranty on the finish and against any manufacturing defect. The ballast and its components are covered by the manufacturer's warranty.



Type	Quantity	Model	Distribution	Wattage	Voltage	Colour	Other components
<input type="text"/>	<input type="text"/>	<input type="text"/>	<input type="text"/>	<input type="text"/>	<input type="text"/>	<input type="text"/>	<input type="text"/>
Submitted on _____ for <input type="checkbox"/> Information <input type="checkbox"/> Approval				Project — _____			
Socket — <input type="checkbox"/> Medium <input type="checkbox"/> Mogul <input type="checkbox"/> _____				Distributor — _____			
Other(s) — <input style="width: 100%;" type="text"/>				Your order # — _____			
				Representative — _____			
				Our order # — _____			



- Specification guide -

Distribution	Wattage	Voltage	Colour	Other components
 <b>Up</b> <input type="checkbox"/> <b>F1</b>	<b>MH</b> <b>175H</b> <input type="checkbox"/> <hr/> <b>MH pulse start</b> <b>50P</b> <input type="checkbox"/> <b>70P</b> <input type="checkbox"/> <b>100P</b> <input type="checkbox"/> <b>125P</b> <input type="checkbox"/> <b>150P</b> <input type="checkbox"/> <hr/> <b>HPS</b> <b>35S</b> <input type="checkbox"/> <b>50S</b> <input type="checkbox"/> <b>70S</b> <input type="checkbox"/> <b>100S</b> <input type="checkbox"/> <b>150S</b> <input type="checkbox"/> <hr/> <b>Fluorescent</b> <b>26F</b> <input type="checkbox"/> <b>32F</b> <input type="checkbox"/> <b>42F</b> <input type="checkbox"/>	<b>120</b> <input type="checkbox"/> <b>208</b> <input type="checkbox"/> <b>240</b> <input type="checkbox"/> <b>277</b> <input type="checkbox"/> <b>347</b> <input type="checkbox"/> <hr/> <b>Fluorescent</b> <b>120</b> <input type="checkbox"/> <b>230</b> <input type="checkbox"/> <b>277</b> <input type="checkbox"/> <b>347</b> <input type="checkbox"/>	<p style="text-align: center;">Standard Colours</p> Textured black <input type="checkbox"/> <b>A11</b> Textured bronze <input type="checkbox"/> <b>B11</b> Textured white <input type="checkbox"/> <b>C11</b> <hr/> <p style="text-align: center;">Special Colours</p> Textured beige <input type="checkbox"/> <b>D11</b> Silver <input type="checkbox"/> <b>E10</b> Silver charcoal <input type="checkbox"/> <b>E20</b> Textured grey blue <input type="checkbox"/> <b>G11</b> Textured blue <input type="checkbox"/> <b>H11</b> Textured dark blue <input type="checkbox"/> <b>H21</b> Textured dark turquoise <input type="checkbox"/> <b>J11</b> Textured turquoise <input type="checkbox"/> <b>J21</b> Textured forest green <input type="checkbox"/> <b>K11</b> Textured dark forest green <input type="checkbox"/> <b>K21</b> Textured dark green <input type="checkbox"/> <b>K31</b> Fine textured dark green <input type="checkbox"/> <b>K42</b> Textured red <input type="checkbox"/> <b>M11</b> Textured burgundy <input type="checkbox"/> <b>M21</b> Fine textured patina <input type="checkbox"/> <b>X11</b> Custom colour <input type="checkbox"/> <b>CC</b> ★	<p style="text-align: center;">Optional</p> Button type photoelectric cell <input type="checkbox"/> <b>PB</b>
 <b>Narrow beam down</b> <input type="checkbox"/> <b>F3</b>	Medium socket only			
 <b>Up and narrow beam down</b> <input type="checkbox"/> <b>F4</b>				

- Use a PL-T 4 pin lamp. Supplied GX24q type socket and electronic ballast with starting temperature of -18°C.
- ★ Consult manufacturer

IMPORTANT NOTICE

Éclairage SDL inc. disclaims any responsibility for problems that could occur from a combination of third party products with those of Éclairage SDL inc.

Order example — **5011** - **F2** - **175H** - **120** - **A11** - **PB**  
 Model      Distribution      Wattage      Voltage      Colour      Other components