

CONSTRUCTION

- A** Head - Consists of a dome, five louvres and a collar moulded of 356 aluminium alloy. The assembly is assembled in a block via three threaded rods and an internal reinforcement ring made of heavy gauge aluminium. This layout provides an adequate protection to the internal optical components. The head is screwed on the base and is removable to allow access to the lamp.
- B** Base - Consists of a lens receptacle made of one piece injected aluminium and of an aluminium extrusion with a round section of Ø5" (127 mm). This receptacle is screwed to the anchor plate using set screws and is completely sealed in order to protect the internal components from dust, water and corrosion.
- C** Anchor plate - Made of one piece moulded aluminium and is surmounted by two welded aluminium extrusions. The ballast's mounting plate is installed on a keyhole system. The bolt circle of the plate is Ø3" (76 mm) and receives three Ø1/2" by 12" long (13 mm by 305 mm) anchor bolts.

OPTICS

- D** Ribbed lens - Made of clear glass with internal ribs and it offers a symmetrical distribution.

ELECTRICAL COMPONENTS

- E** Ballast - Easily accessible, the ballast is mounted on a removable heavy gauge galvanized steel tray, is equipped with a quick disconnect wiring system and is factory pre wired and tested. It has a high power-factor of 90% or more and is either CWA, CWI, HX, or reactor type. All electrical components are CSA and UL approved.
- Socket - Made of porcelain, medium base and 4KV pulse rated (lamp not included).

FINISH

- All surfaces are chemically treated against corrosion through a multi-stage immersion process. The polyester powder finish is applied by a thermostatic process offering an excellent protection conforming to ASTM G7, D-2247 and B-117/D-1654 standards. Standard colours are black, bronze and white with a textured finish. Consult SDL's "Colour Selection Guide" for others.

OPTIONS

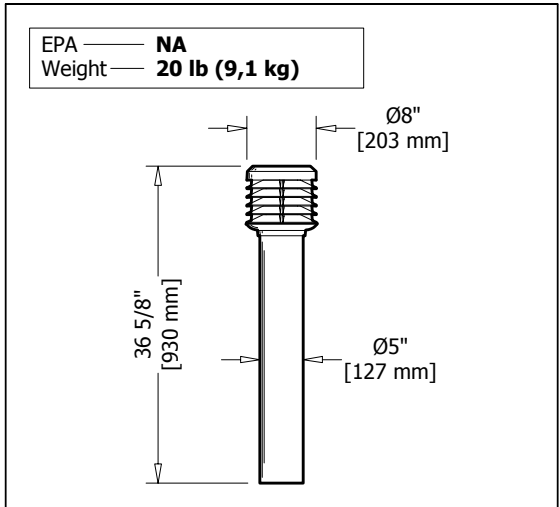
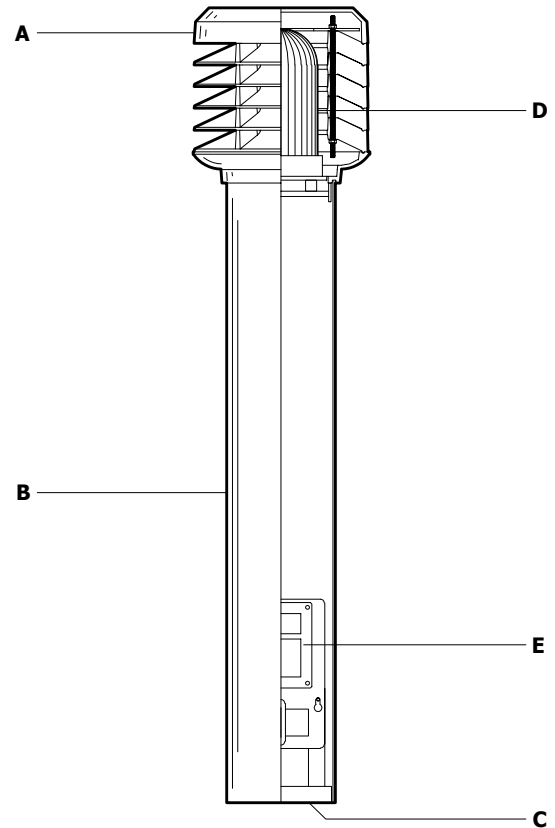
- Duplex receptacle - Consists of an articulated lid and a receptacle made of moulded aluminium. The lid closes on a neoprene gasket to seal it. A ground fault version is also available.
- Tamper-proof hardware - Made of stainless steel, provided with matching bit.
- Deflector - Offered in option, made of specular aluminium and redirects annoying light beams.

HARDWARE

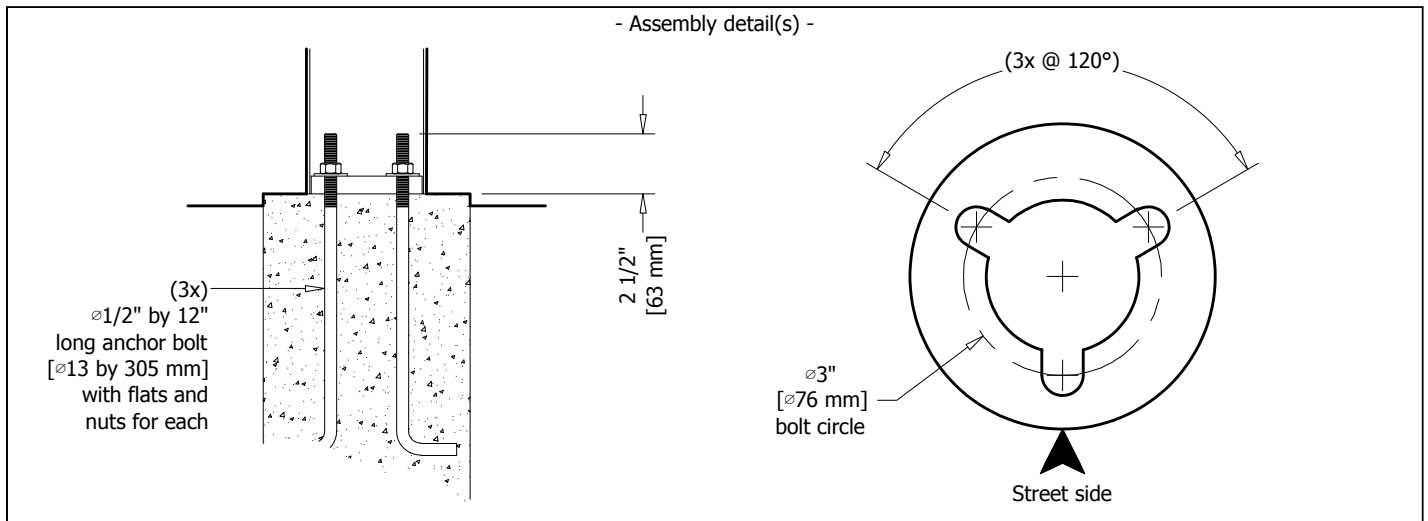
- All exterior hardware is made of stainless steel.

WARRANTY

- This product has a three year warranty on the finish and against any manufacturing defect. The ballast and its components are covered by the manufacturer's warranty.



Type	Quantity	Model	Distribution	Wattage	Voltage	Colour	Other components
<input type="text"/>	<input type="text"/>	<input type="text"/>	-	-	-	-	-
Submitted on _____ for <input type="checkbox"/> Information <input type="checkbox"/> Approval				Project — _____			
Socket — <input type="checkbox"/> Medium <input type="checkbox"/> Mogul <input type="checkbox"/> _____				Distributor — _____			
Other(s) — <input style="width: 100%;" type="text"/>				Your order # — _____			
				Representative — _____			
				Our order # — _____			



- Specification guide -

Distribution	Wattage	Voltage	Colour	Other components
Symmetric S	MH pulse start 50P <input type="checkbox"/> 70P <input type="checkbox"/> 100P <input type="checkbox"/> HPS 35S <input type="checkbox"/> 50S <input type="checkbox"/> 70S <input type="checkbox"/> 100S <input type="checkbox"/> Medium socket only	120 <input type="checkbox"/> 208 <input type="checkbox"/> 240 <input type="checkbox"/> 277 <input type="checkbox"/> 347 <input type="checkbox"/>	Standard Colours Textured black ——— A11 <input type="checkbox"/> Textured bronze ——— B11 <input type="checkbox"/> Textured white ——— C11 <input type="checkbox"/> Special Colours Textured beige ——— D11 <input type="checkbox"/> Silver ——— E10 <input type="checkbox"/> Silver charcoal ——— E20 <input type="checkbox"/> Textured grey blue ——— G11 <input type="checkbox"/> Textured blue ——— H11 <input type="checkbox"/> Textured dark blue ——— H21 <input type="checkbox"/> Textured dark turquoise ——— J11 <input type="checkbox"/> Textured turquoise ——— J21 <input type="checkbox"/> Textured forest green ——— K11 <input type="checkbox"/> Textured dark forest green ——— K21 <input type="checkbox"/> Textured dark green ——— K31 <input type="checkbox"/> Fine textured dark green ——— K42 <input type="checkbox"/> Textured red ——— M11 <input type="checkbox"/> Textured burgundy ——— M21 <input type="checkbox"/> Fine textured patina ——— X11 <input type="checkbox"/> Custom colour ——— CC ★ <input type="checkbox"/>	Optional Duplex receptacle ——— DR <input type="checkbox"/> Ground fault duplex receptacle ——— DRG <input type="checkbox"/> Tamper-proof hardware ——— TP <input type="checkbox"/> House side cut-off ——— HS <input type="checkbox"/>

★ Consult manufacturer

IMPORTANT NOTICE

Éclairage SDL inc. disclaims any responsibility for problems that could occur from a combination of third party products with those of Éclairage SDL inc.

Order example	— 3242	- S	- 70P	- 120	- A11	- DR/TP/HS
	Model	Distribution	Wattage	Voltage	Colour	Other components

440 ave. des Laurentides, suite 101, Beauport (Québec) G1C 5C4 (Canada) - Tel.: (418) 664-0999 - Fax: (418) 664-0816 - Internet: sdllighting.com

Éclairage SDL inc. reserves the right to modify the characteristics of its products without prior notification. Éclairage SDL inc. is not responsible for the choice of the lamps. Éclairage SDL inc. will only commence production upon receiving this drawing approved. Annotations to the approved drawing may change pricing and delay.