

CONSTRUCTION

- Wall plate - Made of one piece moulded 356 aluminium alloy and is directly bolted to a wall. The wall plate receives a ballast of maximum 175W, mounted on a galvanized steel plate. (Ballast not included with the bracket).
- A** Wall housing - Made of one piece moulded 356 aluminium alloy and has integrated heat dissipation ribs. The housing is mechanically fixed to the wall plate and their sealing is ensured by a high-strength EPDM gasket.
- B** Bracket - Composed of a "U" shaped curved tube, of Ø1 1/2" (38 mm) aluminium, welded to the wall housing. A three screw fastening system can receive a luminaire equipped with a 1 3/16" (30 mm) SDL adapter.
- C** Scroll - Made of a laser cut aluminium part, of heavy gauge, welded to the bracket as well as the wall housing.

FINISH

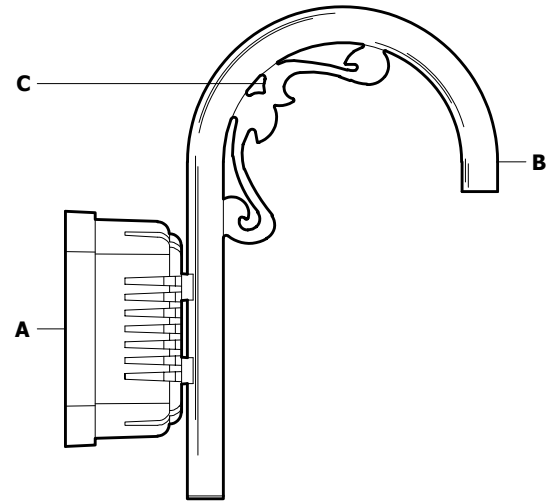
- All surfaces are chemically treated against corrosion through a multi-stage immersion process. The polyester powder finish is applied by a thermostatic process offering an excellent protection conforming to ASTM G7, D-2247 and B-117/D-1654 standards. Standard colours are black, bronze and white with a textured finish. Consult SDL's "Colour Selection Guide" for others.

HARDWARE

- All exterior hardware is made of stainless steel.

WARRANTY

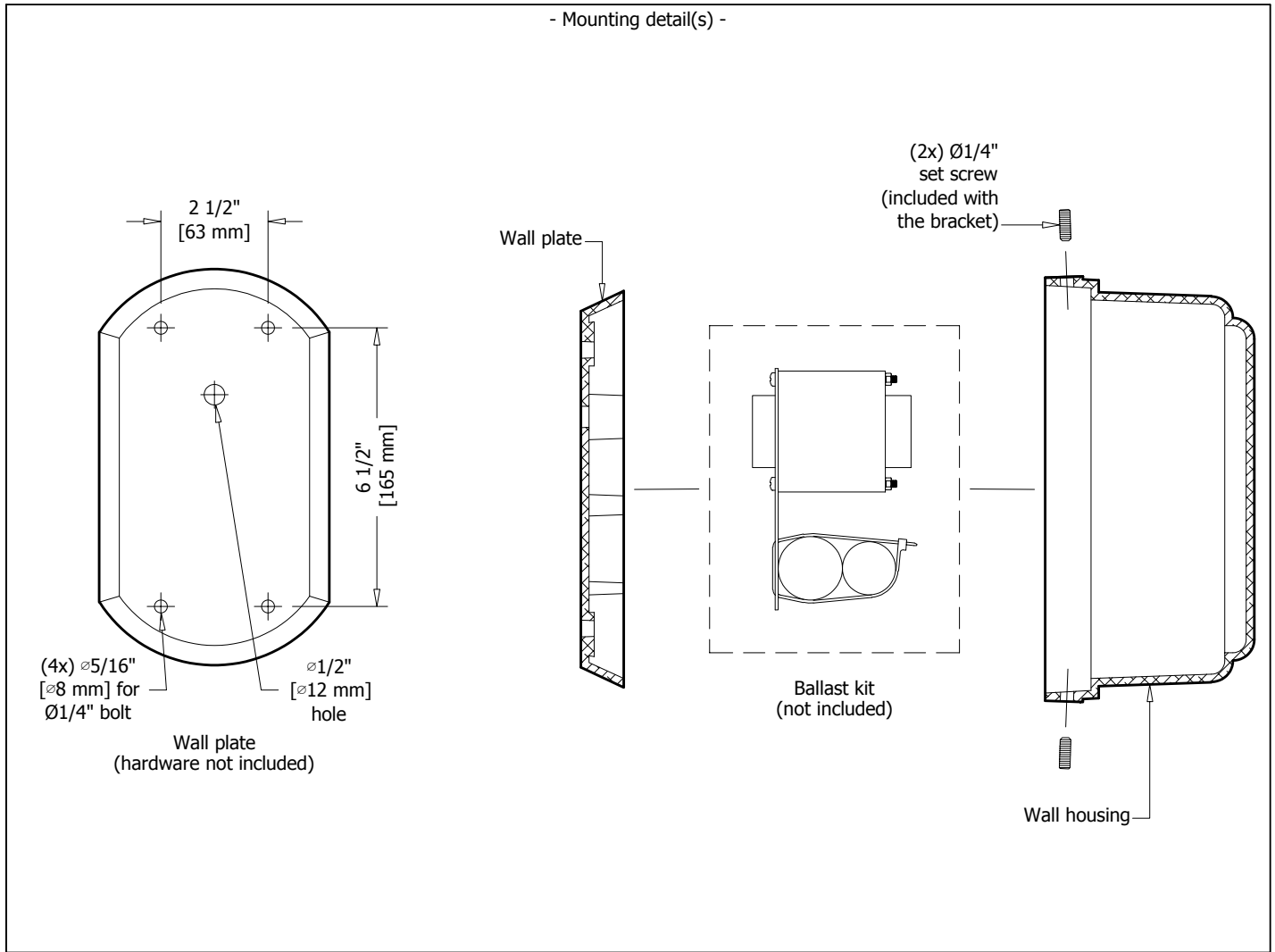
- This product has a three year warranty on the finish and against any manufacturing defect. The ballast and its components are covered by the manufacturer's warranty.



| | |
|-----------------------------------------------------------------------------------------------------------------------------------------------------------------------------------------------------------------------------------------------------------------------------|----------------------------------------------------------------------------------------------------------------------------------------------------------------------------------|
| <p style="text-align: center;">- Interface detail(s) -</p> <p>(3x @ 120°) Ø1/4 by 3/4" long set screw with flat lockwasher and nylon insert locknut (included with the bracket)</p> <p>Bracket</p> <p>1 3/16" luminaire head adapter</p> <p>1/2" [13 mm] ± 1/16" [2 mm]</p> | <div style="border: 1px solid black; padding: 5px; margin-bottom: 10px;"> Weight — 7,0 lb (3,2 kg) </div> <p>20 5/8" [524 mm]</p> <p>17 3/8" [441 mm]</p> |
|-----------------------------------------------------------------------------------------------------------------------------------------------------------------------------------------------------------------------------------------------------------------------------|----------------------------------------------------------------------------------------------------------------------------------------------------------------------------------|

| | | | | |
|-----------------------------------------------------------------------------------------------|---------------------------------------|------------------------------------|--------------------------------------------|-------------------------------------|
| <input type="text" value="Type"/> | <input type="text" value="Quantity"/> | <input type="text" value="Model"/> | <input type="text" value="Configuration"/> | <input type="text" value="Colour"/> |
| Submitted on _____ for <input type="checkbox"/> Information <input type="checkbox"/> Approval | | Project — _____ | | |
| Other(s) — <div style="border: 1px solid black; height: 40px; width: 100%;"></div> | | Distributor — _____ | | |
| | | Your order # — _____ | | |
| | | Representative — _____ | | |
| | | Our order # — _____ | | |

- Mounting detail(s) -



- Specification guide -

| Configuration | Colour | | | | | | | | | | | | | | | | | | | | | | | | | | | | | | | | | | | | | | | | | | | | | | | | | | | | | | | | | | | | | | | | | | | | |
|-----------------------------------------------|------------------------------------------------------------------------------------------------------------------------------------------------------------------------------------------------------------------------------------------------------------------------------------------------------------------------------------------------------------------------------------------------------------------------------------------------------------------------------------------------------------------------------------------------------------------------------------------------------------------------------------------------------------------------------------------------------------------------------------------------------------------------------------------------------------------------------------------------------------------------------------------------------------------------------------------------------------------------------------------------------------------------------------------------------------------------------------------------------------------------------------------------------------------------------------------------------------------------------------------------------------------------------------------------------------------------------------------------------------------------------------------------------------------------------------------------------------------------------------------------------------------------------------------------------------------------------------------------------------------------------------------------------------------------------------------------------------------------------------------------------------------------------------------------------------------------------------------------------------------------------------------------------------------------------------------------------------------------------|--------------------------|----------------------------|------------|----------------------------|----------------|------------|--------------------------|----------------|------------|--------------------------|-----------------|------------|--------------------------|--|--|--|-----------------|--|--|--|----------------|------------|--------------------------|-----------------------|------------|--------------------------|--------|------------|--------------------------|----------------------------|------------|--------------------------|-----------------|------------|--------------------------|---------------------|------------|--------------------------|--------------------|------------|--------------------------|--------------------------|------------|--------------------------|---------------|------------|--------------------------|--------------|------------|--------------------------|--------------------|------------|--------------------------|-------------------|------------|--------------------------|-------------------------|------------|--------------------------|----------------------|------------|--------------------------|--------------------|------------|--------------------------|---------------|-----------|----------------------------|
| Decorative scroll downwards WDE | <table border="1"> <thead> <tr> <th colspan="4">Standard Colours</th> </tr> </thead> <tbody> <tr> <td>Textured black</td> <td>A11</td> <td><input type="checkbox"/></td> <td>Textured white</td> <td>C11</td> <td><input type="checkbox"/></td> </tr> <tr> <td>Textured bronze</td> <td>B11</td> <td><input type="checkbox"/></td> <td></td> <td></td> <td></td> </tr> </tbody> </table> <table border="1"> <thead> <tr> <th colspan="4">Special Colours</th> </tr> </thead> <tbody> <tr> <td>Textured beige</td> <td>D11</td> <td><input type="checkbox"/></td> <td>Textured forest green</td> <td>K11</td> <td><input type="checkbox"/></td> </tr> <tr> <td>Silver</td> <td>E10</td> <td><input type="checkbox"/></td> <td>Textured dark forest green</td> <td>K21</td> <td><input type="checkbox"/></td> </tr> <tr> <td>Silver charcoal</td> <td>E20</td> <td><input type="checkbox"/></td> <td>Textured dark green</td> <td>K31</td> <td><input type="checkbox"/></td> </tr> <tr> <td>Textured grey blue</td> <td>G11</td> <td><input type="checkbox"/></td> <td>Fine textured dark green</td> <td>K42</td> <td><input type="checkbox"/></td> </tr> <tr> <td>Textured blue</td> <td>H11</td> <td><input type="checkbox"/></td> <td>Textured red</td> <td>M11</td> <td><input type="checkbox"/></td> </tr> <tr> <td>Textured dark blue</td> <td>H21</td> <td><input type="checkbox"/></td> <td>Textured burgundy</td> <td>M21</td> <td><input type="checkbox"/></td> </tr> <tr> <td>Textured dark turquoise</td> <td>J11</td> <td><input type="checkbox"/></td> <td>Fine textured patina</td> <td>X11</td> <td><input type="checkbox"/></td> </tr> <tr> <td>Textured turquoise</td> <td>J21</td> <td><input type="checkbox"/></td> <td>Custom colour</td> <td>CC</td> <td><input type="checkbox"/> ★</td> </tr> </tbody> </table> | Standard Colours | | | | Textured black | A11 | <input type="checkbox"/> | Textured white | C11 | <input type="checkbox"/> | Textured bronze | B11 | <input type="checkbox"/> | | | | Special Colours | | | | Textured beige | D11 | <input type="checkbox"/> | Textured forest green | K11 | <input type="checkbox"/> | Silver | E10 | <input type="checkbox"/> | Textured dark forest green | K21 | <input type="checkbox"/> | Silver charcoal | E20 | <input type="checkbox"/> | Textured dark green | K31 | <input type="checkbox"/> | Textured grey blue | G11 | <input type="checkbox"/> | Fine textured dark green | K42 | <input type="checkbox"/> | Textured blue | H11 | <input type="checkbox"/> | Textured red | M11 | <input type="checkbox"/> | Textured dark blue | H21 | <input type="checkbox"/> | Textured burgundy | M21 | <input type="checkbox"/> | Textured dark turquoise | J11 | <input type="checkbox"/> | Fine textured patina | X11 | <input type="checkbox"/> | Textured turquoise | J21 | <input type="checkbox"/> | Custom colour | CC | <input type="checkbox"/> ★ |
| Standard Colours | | | | | | | | | | | | | | | | | | | | | | | | | | | | | | | | | | | | | | | | | | | | | | | | | | | | | | | | | | | | | | | | | | | | | |
| Textured black | A11 | <input type="checkbox"/> | Textured white | C11 | <input type="checkbox"/> | | | | | | | | | | | | | | | | | | | | | | | | | | | | | | | | | | | | | | | | | | | | | | | | | | | | | | | | | | | | | | | | |
| Textured bronze | B11 | <input type="checkbox"/> | | | | | | | | | | | | | | | | | | | | | | | | | | | | | | | | | | | | | | | | | | | | | | | | | | | | | | | | | | | | | | | | | | | |
| Special Colours | | | | | | | | | | | | | | | | | | | | | | | | | | | | | | | | | | | | | | | | | | | | | | | | | | | | | | | | | | | | | | | | | | | | | |
| Textured beige | D11 | <input type="checkbox"/> | Textured forest green | K11 | <input type="checkbox"/> | | | | | | | | | | | | | | | | | | | | | | | | | | | | | | | | | | | | | | | | | | | | | | | | | | | | | | | | | | | | | | | | |
| Silver | E10 | <input type="checkbox"/> | Textured dark forest green | K21 | <input type="checkbox"/> | | | | | | | | | | | | | | | | | | | | | | | | | | | | | | | | | | | | | | | | | | | | | | | | | | | | | | | | | | | | | | | | |
| Silver charcoal | E20 | <input type="checkbox"/> | Textured dark green | K31 | <input type="checkbox"/> | | | | | | | | | | | | | | | | | | | | | | | | | | | | | | | | | | | | | | | | | | | | | | | | | | | | | | | | | | | | | | | | |
| Textured grey blue | G11 | <input type="checkbox"/> | Fine textured dark green | K42 | <input type="checkbox"/> | | | | | | | | | | | | | | | | | | | | | | | | | | | | | | | | | | | | | | | | | | | | | | | | | | | | | | | | | | | | | | | | |
| Textured blue | H11 | <input type="checkbox"/> | Textured red | M11 | <input type="checkbox"/> | | | | | | | | | | | | | | | | | | | | | | | | | | | | | | | | | | | | | | | | | | | | | | | | | | | | | | | | | | | | | | | | |
| Textured dark blue | H21 | <input type="checkbox"/> | Textured burgundy | M21 | <input type="checkbox"/> | | | | | | | | | | | | | | | | | | | | | | | | | | | | | | | | | | | | | | | | | | | | | | | | | | | | | | | | | | | | | | | | |
| Textured dark turquoise | J11 | <input type="checkbox"/> | Fine textured patina | X11 | <input type="checkbox"/> | | | | | | | | | | | | | | | | | | | | | | | | | | | | | | | | | | | | | | | | | | | | | | | | | | | | | | | | | | | | | | | | |
| Textured turquoise | J21 | <input type="checkbox"/> | Custom colour | CC | <input type="checkbox"/> ★ | | | | | | | | | | | | | | | | | | | | | | | | | | | | | | | | | | | | | | | | | | | | | | | | | | | | | | | | | | | | | | | | |

IMPORTANT NOTICE
 Éclairage SDL inc. disclaims any responsibility for problems that could occur from a combination of third party products with those of Éclairage SDL inc.

★ Consult manufacturer

| | | | | | |
|---------------|---------------------|---|-----------------------------|---|----------------------|
| Order example | CM1 Model | - | WDE Configuration | - | A11 Colour |
|---------------|---------------------|---|-----------------------------|---|----------------------|