

**CONSTRUCTION**

- A** Bracket - Made of one piece moulded 356 aluminium alloy that includes a mounting plate, an horizontal support of circular section, an antique scroll as well as a vertical receptacle. The bracket bolts directly to a wall or to the interface box. The integrated receptacle supports a Ø3" (76 mm) or a Ø4" (102 mm) tubular aluminium tenon on which a luminaire holder is installed.
- B** Interface box - Made of one piece moulded 356 aluminium alloy surmounted by a decorative finial. The box slips on a pole equipped with a Ø3" (76 mm) tenon and is fixed by six stainless steel set screws.

**FINISH**

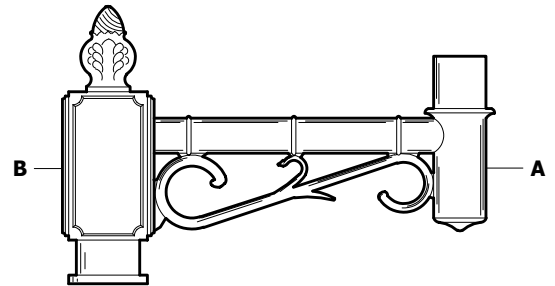
- All surfaces are chemically treated against corrosion through a multi-stage immersion process. The polyester powder finish is applied by a thermostatic process offering an excellent protection conforming to ASTM G7, D-2247 and B-117/D-1654 standards. Standard colours are black, bronze and white with a textured finish. Consult SDL's "Colour Selection Guide" for others.

**HARDWARE**

- All exterior hardware is made of stainless steel.

**WARRANTY**

- This product has a three year warranty on the finish and against any manufacturing defect. The ballast and its components are covered by the manufacturer's warranty.



<b>W1X</b> Weight — <b>6,0 lb (2,7 kg)</b>	<b>S1E</b> EPA — <b>0,93 sq ft</b> Weight — <b>15,0 lb (6,8 kg)</b>	<b>S2E</b> EPA — <b>1,86 sq ft</b> Weight — <b>21,0 lb (9,5 kg)</b>
<b>S3E</b> EPA — <b>2,48 sq ft</b> Weight — <b>27,0 lb (12,2 kg)</b>		<b>S4E</b> EPA — <b>3,10 sq ft</b> Weight — <b>33,0 lb (15,0 kg)</b>

- Interface detail(s) -

Ø4" [102 mm]  
 X = OR  
 Ø3" [76mm]  
 Y = 3" [76mm]  
 (Others available upon request)

Type	Quantity	Model	Configuration	Colour

Submitted on \_\_\_\_\_ for  **Information**  **Approval**

Other(s) —

Project — \_\_\_\_\_

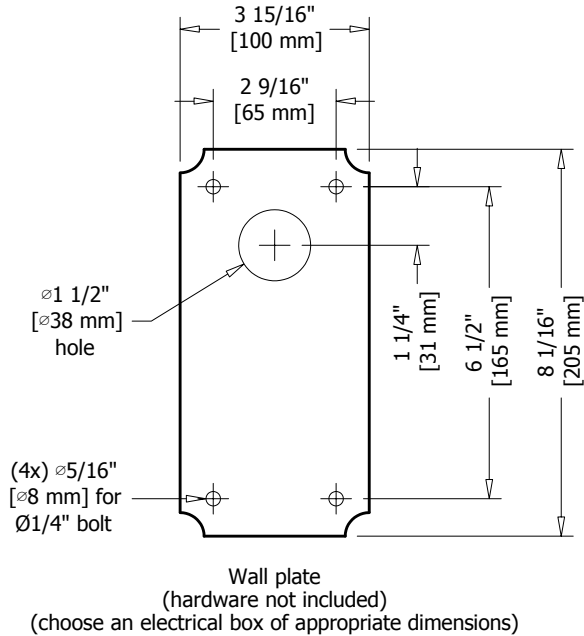
Distributor — \_\_\_\_\_

Your order # — \_\_\_\_\_

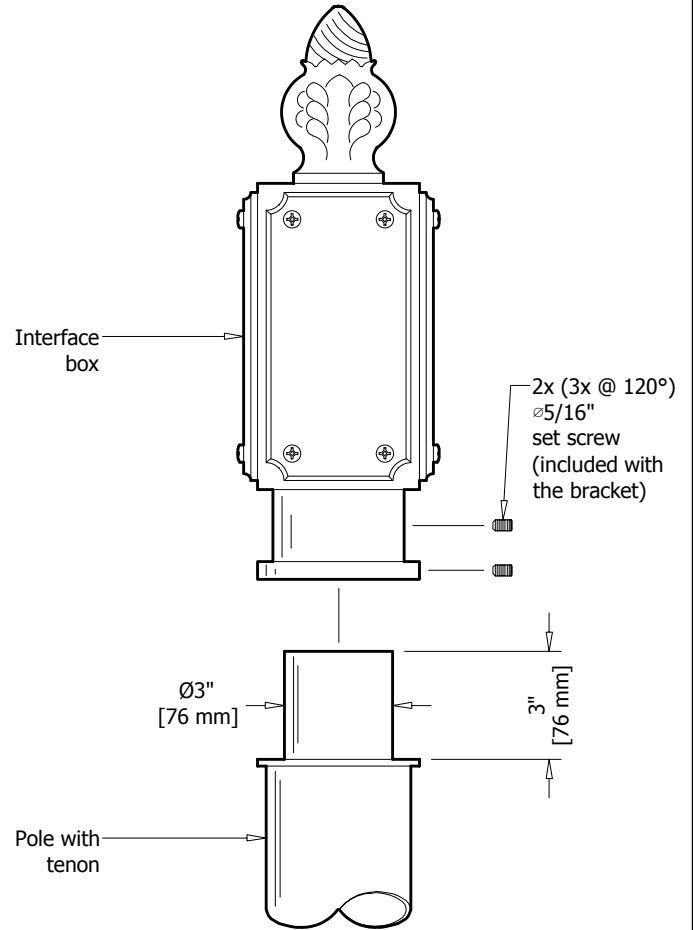
Representative — \_\_\_\_\_

Our order # — \_\_\_\_\_

- W1X configuration detail(s) -



- S\_E configuration detail(s) -



- Specification guide -

Configuration		Colour	
Without pole extension	With pole extension	Standard Colours	
		Textured black ———— <b>A11</b> <input type="checkbox"/>	Textured white ———— <b>C11</b> <input type="checkbox"/>
<b>W1X</b> <input type="checkbox"/>	<b>S1E</b> <input type="checkbox"/>	Textured bronze ———— <b>B11</b> <input type="checkbox"/>	
	<b>S2E</b> <input type="checkbox"/>	Special Colours	
	<b>S3E</b> <input type="checkbox"/>	Textured beige ———— <b>D11</b> <input type="checkbox"/>	Textured forest green ———— <b>K11</b> <input type="checkbox"/>
	<b>S4E</b> <input type="checkbox"/>	Silver ———— <b>E10</b> <input type="checkbox"/>	Textured dark forest green — <b>K21</b> <input type="checkbox"/>
		Silver charcoal ———— <b>E20</b> <input type="checkbox"/>	Textured dark green ———— <b>K31</b> <input type="checkbox"/>
		Textured grey blue ———— <b>G11</b> <input type="checkbox"/>	Fine textured dark green — <b>K42</b> <input type="checkbox"/>
		Textured blue ———— <b>H11</b> <input type="checkbox"/>	Textured red ———— <b>M11</b> <input type="checkbox"/>
		Textured dark blue ———— <b>H21</b> <input type="checkbox"/>	Textured burgundy ———— <b>M21</b> <input type="checkbox"/>
		Textured dark turquoise — <b>J11</b> <input type="checkbox"/>	Fine textured patina ———— <b>X11</b> <input type="checkbox"/>
		Textured turquoise ———— <b>J21</b> <input type="checkbox"/>	Custom colour ———— <b>CC</b> ★ <input type="checkbox"/>

**IMPORTANT NOTICE**  
 Éclairage SDL inc. disclaims any responsibility for problems that could occur from a combination of third party products with those of Éclairage SDL inc.

★ Consult manufacturer

Order example ————	<b>MC2</b> Model	-	<b>S2E</b> Configuration	-	<b>A11</b> Colour
--------------------	---------------------	---	-----------------------------	---	----------------------