

**CONSTRUCTION**

- Bracket - Composed of a "U" shaped curved tube, of Ø2 7/8" (73 mm) aluminium, assembled to two decorative collars made of moulded aluminium that hold a Ø1" (25 mm) horizontal aluminium tube. The whole is bolted to a massive moulded aluminium adapter which, by choice, is directly bolted to a pole, a pole extension or is welded to a wall plate. The pole extension, composed of a Ø4" (102 mm) or of a Ø5" (127 mm) aluminium tube and of an 8" (203 mm) long internal adapter, slips into a pole and is mechanically held in place by six set screws installed on the later. The wall plate is made of very heavy gauge aluminium and is directly bolted to the wall. A three screw fastening system can receive a luminaire equipped with a 2 3/8" (60 mm) SDL adapter.

**FINISH**

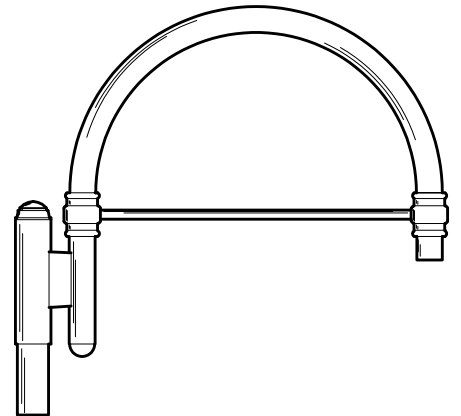
- All surfaces are chemically treated against corrosion through a multi-stage immersion process. The polyester powder finish is applied by a thermostatic process offering an excellent protection conforming to ASTM G7, D-2247 and B-117/D-1654 standards. Standard colours are black, bronze and white with a textured finish. Consult SDL's "Colour Selection Guide" for others.

**HARDWARE**

- All exterior hardware is made of stainless steel.

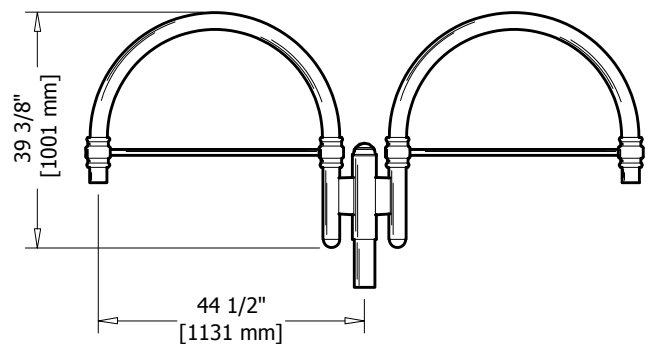
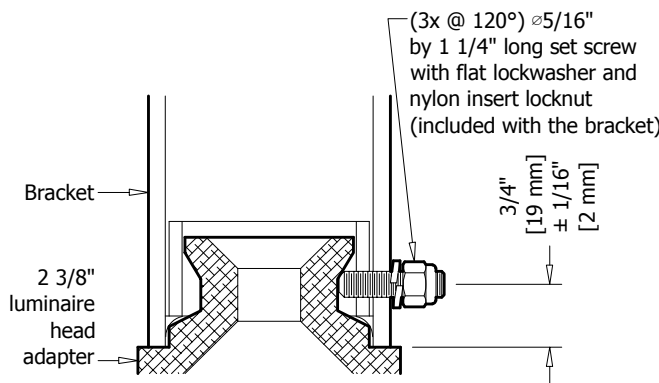
**WARRANTY**

- This product has a three year warranty on the finish and against any manufacturing defect. The ballast and its components are covered by the manufacturer's warranty.

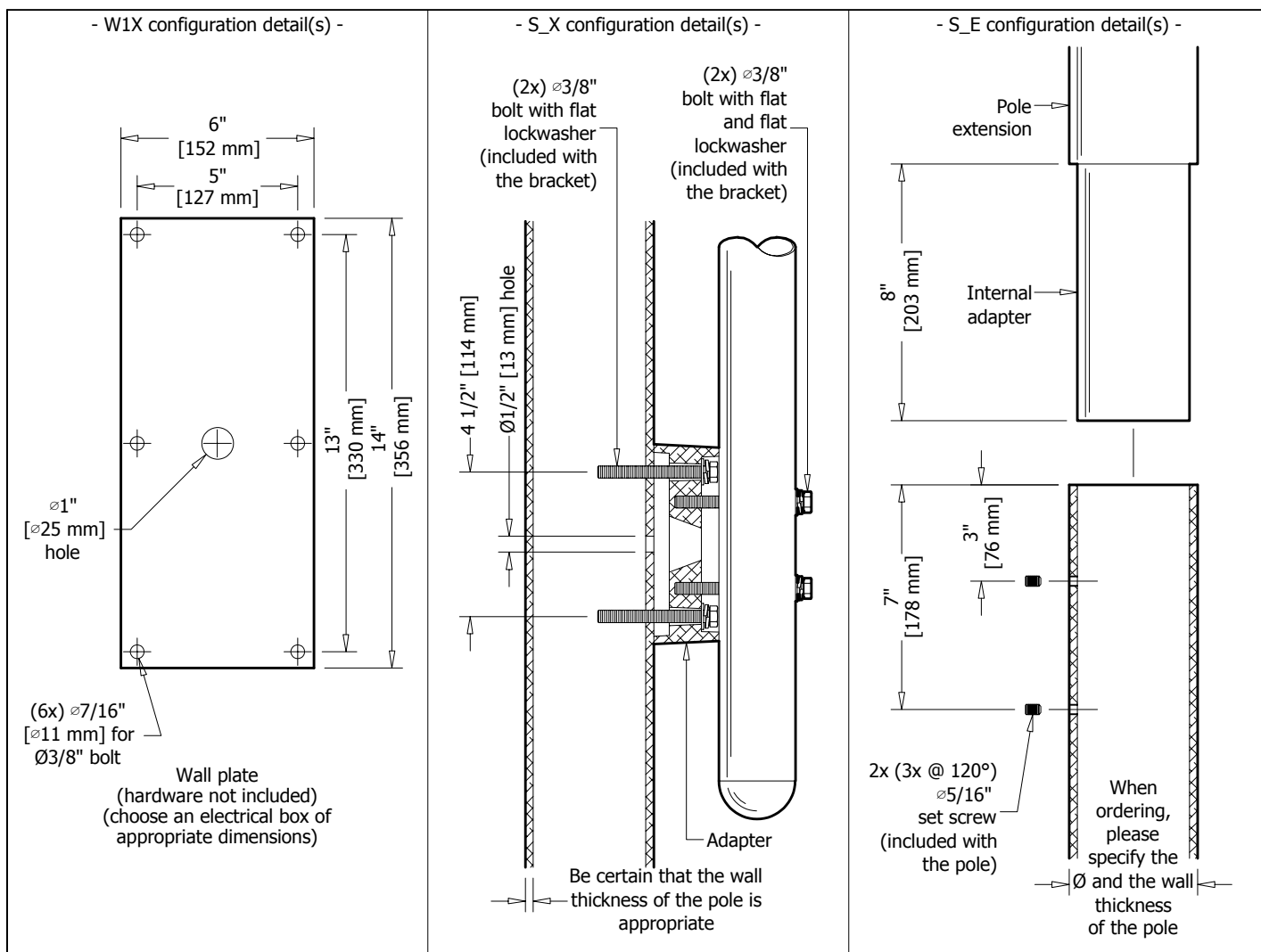


<b>W1X</b> Weight — <b>23,5 lb (10,7 kg)</b>	<b>S1E</b> EPA — <b>1,83 sq ft</b> Weight — <b>30,0 lb (13,6 kg)</b>	<b>S2E</b> EPA — <b>3,66 sq ft</b> Weight — <b>51,5 lb (23,4 kg)</b>
<b>S3E</b> EPA — <b>4,88 sq ft</b> Weight — <b>73,0 lb (33,1 kg)</b>	<b>Y3E</b> EPA — <b>4,39 sq ft</b> Weight — <b>73,0 lb (33,1 kg)</b>	<b>S4E</b> EPA — <b>6,09 sq ft</b> Weight — <b>94,5 lb (42,9 kg)</b>

- Interface detail(s) -



Type	Quantity	Model	Configuration	Colour
Submitted on _____ for <input type="checkbox"/> Information <input type="checkbox"/> Approval		Project — _____		
Other(s) — _____		Distributor — _____		
		Your order # — _____		
		Representative — _____		
		Our order # — _____		



- Specification guide -

Configuration	Colour																
<table style="width: 100%;"> <tr> <td style="width: 50%; text-align: center;">Without pole extension</td> <td style="width: 50%; text-align: center;">With pole extension</td> </tr> <tr> <td style="text-align: center;"></td> <td style="text-align: center;"></td> </tr> <tr> <td> <b>W1X</b> <input type="checkbox"/></td> <td> <b>S1E</b> <input type="checkbox"/></td> </tr> <tr> <td> <b>S1X</b> <input type="checkbox"/></td> <td> <b>S2E</b> <input type="checkbox"/></td> </tr> <tr> <td> <b>S2X</b> <input type="checkbox"/></td> <td> <b>S3E</b> <input type="checkbox"/></td> </tr> <tr> <td> <b>S3X</b> <input type="checkbox"/></td> <td> <b>Y3E</b> <input type="checkbox"/></td> </tr> <tr> <td> <b>Y3X</b> <input type="checkbox"/></td> <td> <b>Y3E</b> <input type="checkbox"/></td> </tr> <tr> <td> <b>S4X</b> <input type="checkbox"/></td> <td> <b>S4E</b> <input type="checkbox"/></td> </tr> </table>	Without pole extension	With pole extension			<b>W1X</b> <input type="checkbox"/>	<b>S1E</b> <input type="checkbox"/>	<b>S1X</b> <input type="checkbox"/>	<b>S2E</b> <input type="checkbox"/>	<b>S2X</b> <input type="checkbox"/>	<b>S3E</b> <input type="checkbox"/>	<b>S3X</b> <input type="checkbox"/>	<b>Y3E</b> <input type="checkbox"/>	<b>Y3X</b> <input type="checkbox"/>	<b>Y3E</b> <input type="checkbox"/>	<b>S4X</b> <input type="checkbox"/>	<b>S4E</b> <input type="checkbox"/>	<p style="text-align: center;">Standard Colours</p> <p>Textured black <b>A11</b> <input type="checkbox"/> Textured white <b>C11</b> <input type="checkbox"/></p> <p>Textured bronze <b>B11</b> <input type="checkbox"/></p> <hr/> <p style="text-align: center;">Special Colours</p> <p>Textured beige <b>D11</b> <input type="checkbox"/> Textured forest green <b>K11</b> <input type="checkbox"/></p> <p>Silver <b>E10</b> <input type="checkbox"/> Textured dark forest green <b>K21</b> <input type="checkbox"/></p> <p>Silver charcoal <b>E20</b> <input type="checkbox"/> Textured dark green <b>K31</b> <input type="checkbox"/></p> <p>Textured grey blue <b>G11</b> <input type="checkbox"/> Fine textured dark green <b>K42</b> <input type="checkbox"/></p> <p>Textured blue <b>H11</b> <input type="checkbox"/> Textured red <b>M11</b> <input type="checkbox"/></p> <p>Textured dark blue <b>H21</b> <input type="checkbox"/> Textured burgundy <b>M21</b> <input type="checkbox"/></p> <p>Textured dark turquoise <b>J11</b> <input type="checkbox"/> Fine textured patina <b>X11</b> <input type="checkbox"/></p> <p>Textured turquoise <b>J21</b> <input type="checkbox"/> Custom colour <b>CC</b> ★ <input type="checkbox"/></p>
Without pole extension	With pole extension																
<b>W1X</b> <input type="checkbox"/>	<b>S1E</b> <input type="checkbox"/>																
<b>S1X</b> <input type="checkbox"/>	<b>S2E</b> <input type="checkbox"/>																
<b>S2X</b> <input type="checkbox"/>	<b>S3E</b> <input type="checkbox"/>																
<b>S3X</b> <input type="checkbox"/>	<b>Y3E</b> <input type="checkbox"/>																
<b>Y3X</b> <input type="checkbox"/>	<b>Y3E</b> <input type="checkbox"/>																
<b>S4X</b> <input type="checkbox"/>	<b>S4E</b> <input type="checkbox"/>																

General note: When ordering, please specify the Ø of the pole.

★ Consult manufacturer

IMPORTANT NOTICE

Éclairage SDL inc. disclaims any responsibility for problems that could occur from a combination of third party products with those of Éclairage SDL inc.

Order example	<b>CS1</b> Model	-	<b>S2X</b> Configuration	-	<b>A11</b> Colour
---------------	---------------------	---	-----------------------------	---	----------------------