

**CONSTRUCTION**

- Bracket - Composed of a "U" shaped curved tube, of Ø2 3/8" (60 mm) aluminium, bolted to two massive moulded aluminium adapters which, by choice, are either bolted to a pole extension or welded to a wall plate. The pole extension, composed of a Ø4" (102 mm) or of a Ø5" (127 mm) aluminium tube and of an 8" (203 mm) long internal adapter, slips into a pole and is mechanically held in place by six set screws installed on the later. The wall plate is made of very heavy gauge aluminium and is directly bolted to the wall. A three screw fastening system can receive a luminaire equipped with a 2 3/8" (60 mm) SDL adapter.

**FINISH**

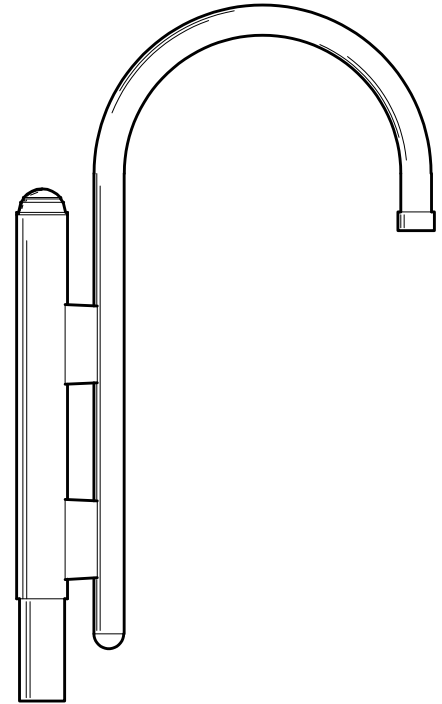
- All surfaces are chemically treated against corrosion through a multi-stage immersion process. The polyester powder finish is applied by a thermostatic process offering an excellent protection conforming to ASTM G7, D-2247 and B-117/D-1654 standards. Standard colours are black, bronze and white with a textured finish. Consult SDL's "Colour Selection Guide" for others.

**HARDWARE**

- All exterior hardware is made of stainless steel.

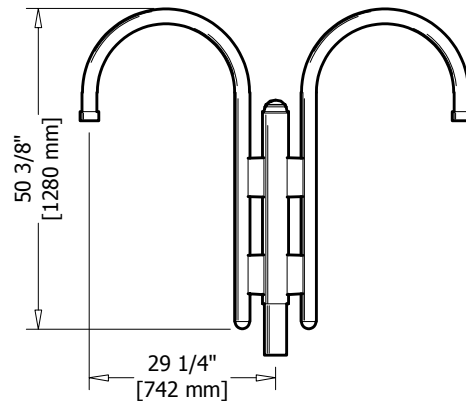
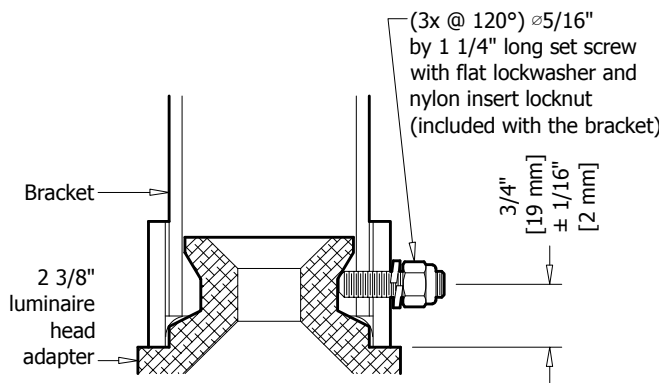
**WARRANTY**

- This product has a three year warranty on the finish and against any manufacturing defect. The ballast and its components are covered by the manufacturer's warranty.



<b>W1X</b> Weight — <b>14,0 lb (6,4 kg)</b>	<b>S1E</b> EPA — <b>1,74 sq ft</b> Weight — <b>27,5 lb (12,5 kg)</b>	<b>S2E</b> EPA — <b>3,49 sq ft</b> Weight — <b>39,0 lb (17,7 kg)</b>
<b>S3E</b> EPA — <b>4,66 sq ft</b> Weight — <b>50,5 lb (22,9 kg)</b>	<b>Y3E</b> EPA — <b>4,19 sq ft</b> Weight — <b>50,5 lb (22,9 kg)</b>	<b>S4E</b> EPA — <b>5,81 sq ft</b> Weight — <b>61,5 lb (27,9 kg)</b>

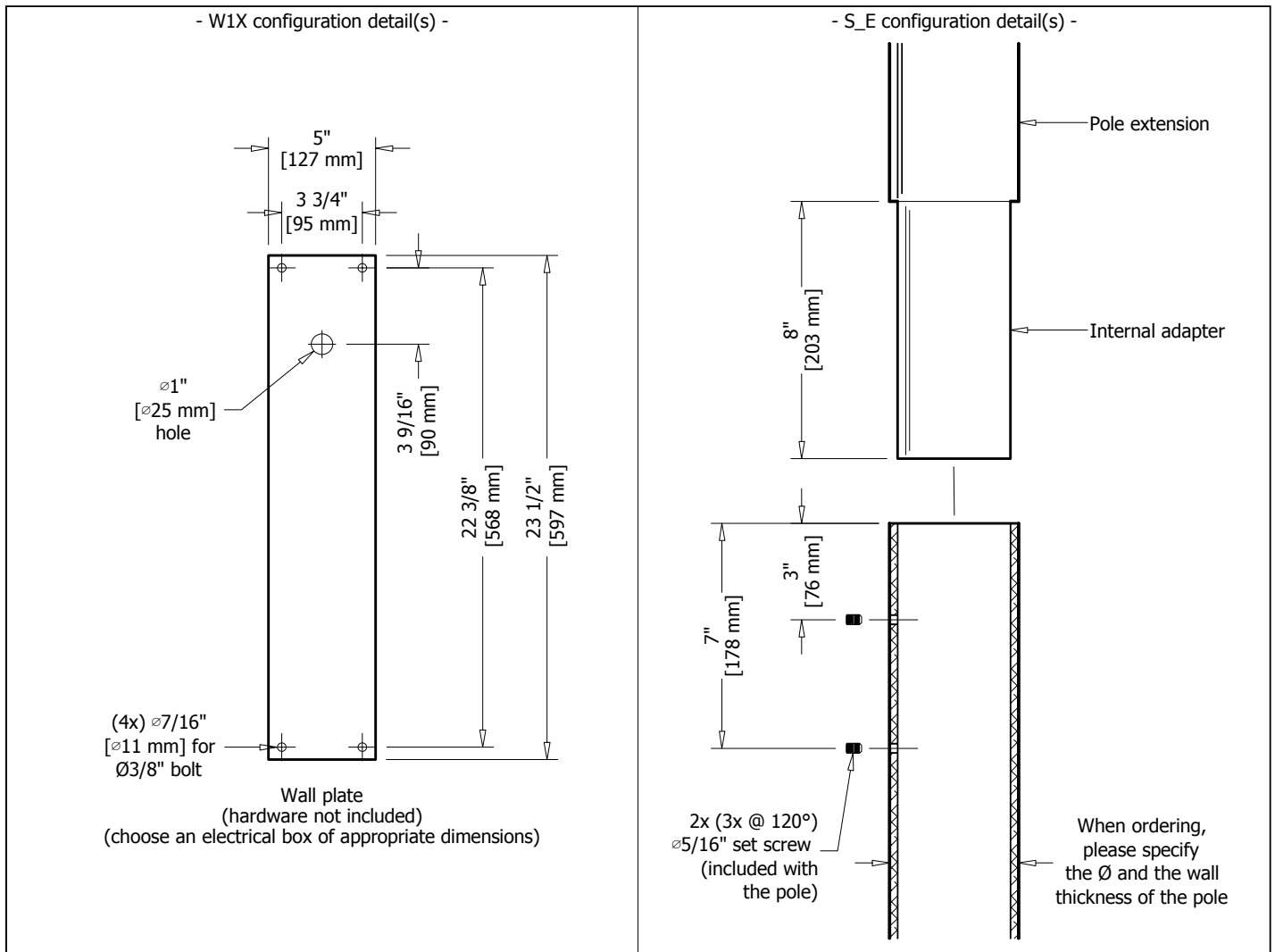
- Interface detail(s) -



Type	Quantity	Model	Configuration	Colour

Submitted on _____ for <input type="checkbox"/> Information <input type="checkbox"/> Approval Other(s) — <div style="border: 1px solid black; height: 40px; width: 100%;"></div>	Project — _____ Distributor — _____ Your order # — _____ Representative — _____ Our order # — _____
---	---



- Specification guide -

Configuration	Colour
<div style="display: flex; justify-content: space-around;"> <div style="text-align: center;"> <p>Without pole extension</p> <p><b>W1X</b> <input type="checkbox"/></p> </div> <div style="text-align: center;"> <p>With pole extension</p> <p> <b>S1E</b> <input type="checkbox"/>  <b>S2E</b> <input type="checkbox"/>  <b>S3E</b> <input type="checkbox"/>  <b>Y3E</b> <input type="checkbox"/>  <b>S4E</b> <input type="checkbox"/> </p> </div> </div>	<div style="text-align: center;"> <p>Standard Colours</p> <p>                     Textured black <b>A11</b> <input type="checkbox"/>    Textured white <b>C11</b> <input type="checkbox"/>                      Textured bronze <b>B11</b> <input type="checkbox"/> </p> </div> <div style="text-align: center;"> <p>Special Colours</p> <p>                     Textured beige <b>D11</b> <input type="checkbox"/>    Textured forest green <b>K11</b> <input type="checkbox"/>                      Silver <b>E10</b> <input type="checkbox"/>    Textured dark forest green <b>K21</b> <input type="checkbox"/>                      Silver charcoal <b>E20</b> <input type="checkbox"/>    Textured dark green <b>K31</b> <input type="checkbox"/>                      Textured grey blue <b>G11</b> <input type="checkbox"/>    Fine textured dark green <b>K42</b> <input type="checkbox"/>                      Textured blue <b>H11</b> <input type="checkbox"/>    Textured red <b>M11</b> <input type="checkbox"/>                      Textured dark blue <b>H21</b> <input type="checkbox"/>    Textured burgundy <b>M21</b> <input type="checkbox"/>                      Textured dark turquoise <b>J11</b> <input type="checkbox"/>    Fine textured patina <b>X11</b> <input type="checkbox"/>                      Textured turquoise <b>J21</b> <input type="checkbox"/>    Custom colour <b>CC</b> ★ <input type="checkbox"/> </p> </div>

General note: When ordering, please specify the Ø of the pole.

★ Consult manufacturer

IMPORTANT NOTICE

Éclairage SDL inc. disclaims any responsibility for problems that could occur from a combination of third party products with those of Éclairage SDL inc.

Order example —	<b>CS3</b>	-	<b>S2E</b>	-	<b>A11</b>
	Model		Configuration		Colour