

CONSTRUCTION

- A** Pole - Made of a Ø4" (102 mm) or of a Ø5" (127 mm) tubular part, available in aluminium of round or round fluted section and in carbon steel of round section. The pole is welded to the anchor plate.
- Access door - Manufactured of aluminium and covers an opening of 2 1/2" by 4" (64 mm by 102 mm) that gives access to a copper grounding terminal. The door closes on a neoprene gasket making it waterproof.
- B** Decorative base cover - Composed of two moulded parts of 356 aluminium alloy and is mechanically held to the pole.
- Anchor plate - Made of one piece moulded aluminium or a cut out steel part. The bolt circle of the plate is Ø8 1/2" (216 mm) for a Ø4" pole or is Ø10" (254 mm) for a Ø5" pole.
- Anchor bolts - There are four in all, made of galvanized steel and 'L' shaped. The bolts are of size 3/4" by 15" long (19 mm by 381 mm long) and supplied with two nuts and two flats for each.

FINISH

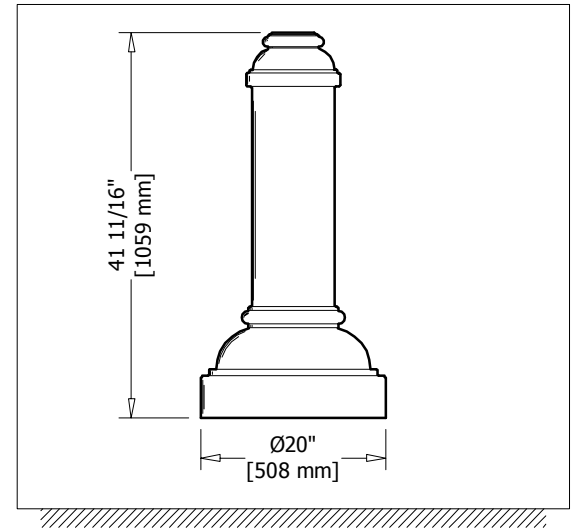
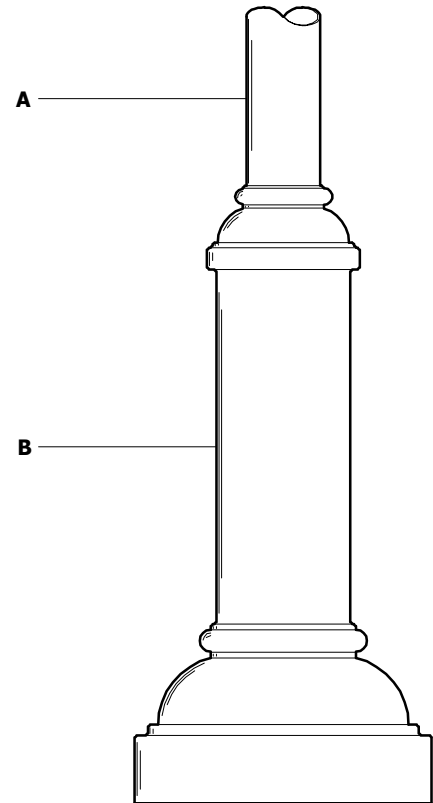
- All surfaces are chemically treated against corrosion through a multi-stage immersion process. The polyester powder finish is applied by a thermostatic process offering an excellent protection conforming to ASTM G7, D-2247 and B-117/D-1654 standards. Standard colours are black, bronze and white with a textured finish. Consult SDL's "Colour Selection Guide" for others.

HARDWARE

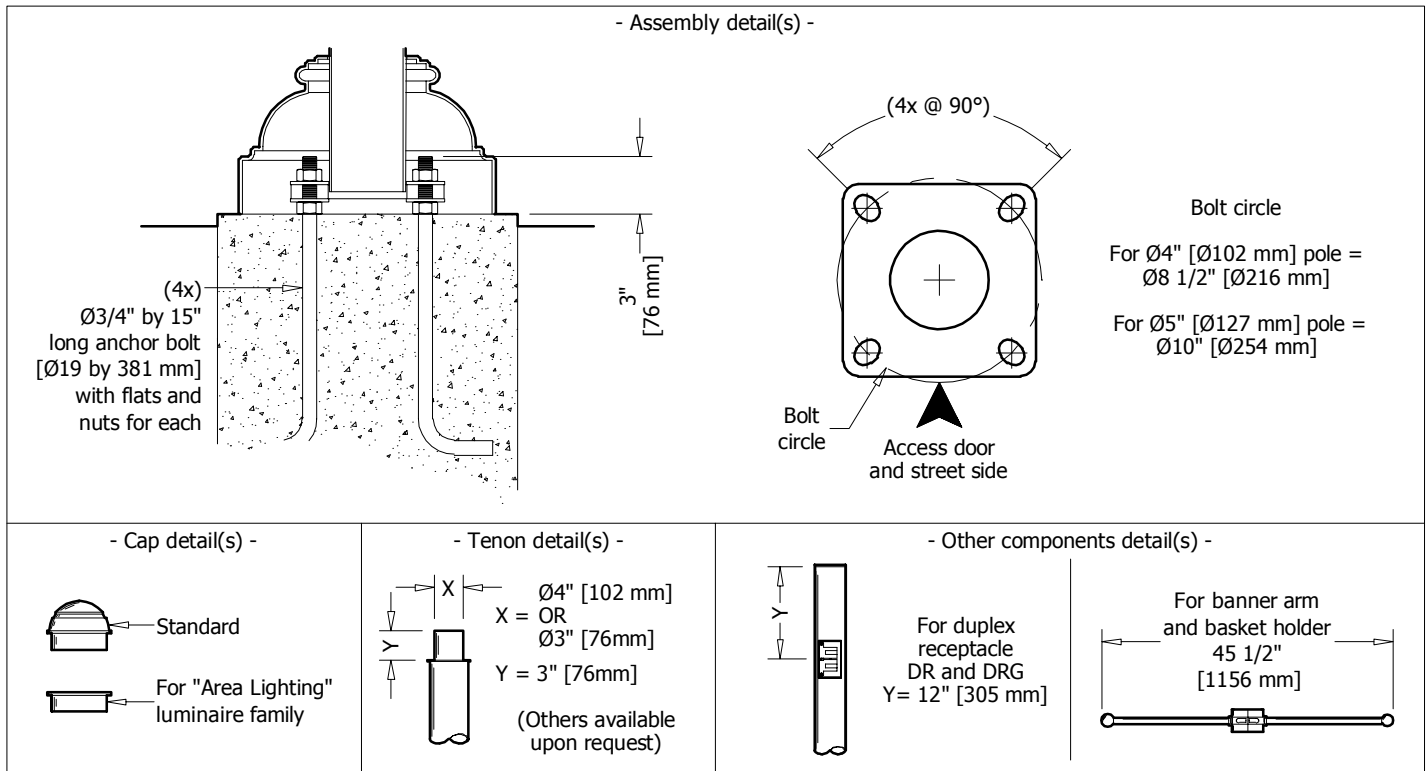
- All exterior hardware is made of stainless steel.

WARRANTY

- This product has a three year warranty on the finish and against any manufacturing defect. The ballast and its components are covered by the manufacturer's warranty.



<input type="text" value="Type"/>	<input type="text" value="Quantity"/>	<input type="text" value="Model"/>	<input type="text" value="Section"/>	<input type="text" value="Height"/>	<input type="text" value="Wall thickness"/>	<input type="text" value="Colour"/>	<input type="text" value="Other components"/>
Submitted on _____ for <input type="checkbox"/> Information <input type="checkbox"/> Approval				Project — _____			
<input type="checkbox"/> Cap <input type="checkbox"/> Ø3" x 3" tenon <input type="checkbox"/> Ø4" x 3" tenon				Distributor — _____			
Other(s) — <input style="width: 100%;" type="text"/>				Your order # — _____			
				Representative — _____			
				Our order # — _____			



- Specification guide -

Section	Height	Wall thickness	Colour	Other components
Dimension 4" [102 mm] <input type="checkbox"/> 4 5" [127 mm] <input type="checkbox"/> 5	8' [2,44 m] <input type="checkbox"/> 8 10' [3,05 m] <input type="checkbox"/> 10 12' [3,66 m] <input type="checkbox"/> 12 14' [4,27 m] <input type="checkbox"/> 14 16' [4,88 m] <input type="checkbox"/> 16	1/8" [3 mm] <input type="checkbox"/> L ▲ 3/16" [5 mm] <input type="checkbox"/> M 1/4" [6 mm] <input type="checkbox"/> H ▲	Standard Colours Textured black <input type="checkbox"/> A11 Textured bronze <input type="checkbox"/> B11 Textured white <input type="checkbox"/> C11 Special Colours Textured beige <input type="checkbox"/> D11 Silver <input type="checkbox"/> E10 Silver charcoal <input type="checkbox"/> E20 Textured grey blue <input type="checkbox"/> G11 Textured blue <input type="checkbox"/> H11 Textured dark blue <input type="checkbox"/> H21 Textured dark turquoise <input type="checkbox"/> J11 Textured turquoise <input type="checkbox"/> J21 Textured forest green <input type="checkbox"/> K11 Textured dark forest green <input type="checkbox"/> K21 Textured dark green <input type="checkbox"/> K31 Fine textured dark green <input type="checkbox"/> K42 Textured red <input type="checkbox"/> M11 Textured burgundy <input type="checkbox"/> M21 Fine textured patina <input type="checkbox"/> X11 Custom colour <input type="checkbox"/> CC ★	Optional Duplex receptacle <input type="checkbox"/> DR Ground fault duplex receptacle <input type="checkbox"/> DRG Banner arm $\text{Ø}4"$ ($\text{Ø}102$ mm) <input type="checkbox"/> LR41 ■ <input type="checkbox"/> LR42 ■ $\text{Ø}5"$ ($\text{Ø}127$ mm) <input type="checkbox"/> LR51 ■ <input type="checkbox"/> LR52 ■ Basket holder $\text{Ø}4"$ ($\text{Ø}102$ mm) <input type="checkbox"/> LH41 ■ <input type="checkbox"/> LH42 ■ <input type="checkbox"/> LH43 ■ <input type="checkbox"/> LH44 ■
Material Steel <input type="checkbox"/> ST Aluminium <input type="checkbox"/> AL	Others <input type="checkbox"/> ★			
Profile <input type="checkbox"/> F ● <input type="checkbox"/> R				

- ▲ Not available for ALF
- Available only in aluminium
- ★ Consult manufacturer

■ Consider a greater EPA when adding accessories to this component.

IMPORTANT NOTICE

Éclairage SDI inc. disclaims any responsibility for problems that could occur from a combination of third party products with those of Éclairage SDI inc.

Order example	WH	-	4ALR	-	12	-	L	-	A11	-	DR/LR42
	Model		Section		Height		Wall thickness		Colour		Other components