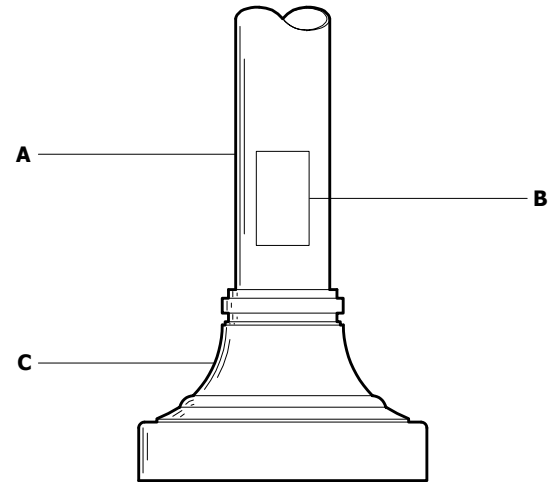


CONSTRUCTION

- A** Pole - Made of a Ø4" (102 mm) tubular part, available in aluminium of round or of round fluted section and in carbon steel of round section. The pole is welded to the anchor plate.
- B** Access door - Manufactured of aluminium and covers an opening of 2 1/2" by 4" (64 mm by 102 mm) that gives access to a copper grounding terminal. The door closes on a neoprene gasket making it waterproof.
- C** Decorative base cover - Composed of two moulded parts of 356 aluminium alloy and is mechanically held to the pole.
 - Anchor plate - Made of one piece moulded aluminium or a cut out steel part. The bolt circle of the plate is Ø8 1/2" (216 mm).
 - Anchor bolts - There are four in all, made of galvanized steel, 'L' shaped and supplied with two nuts and two flats for each. The sizes of anchor bolts are as follow:
 - for 16' (4.88 m) and less pole heights: 3/4" by 20" long (19 mm by 508 mm long)
 - for 18' (5.49 m) and up pole heights: 3/4" by 26" long (19 mm by 660 mm long)



FINISH

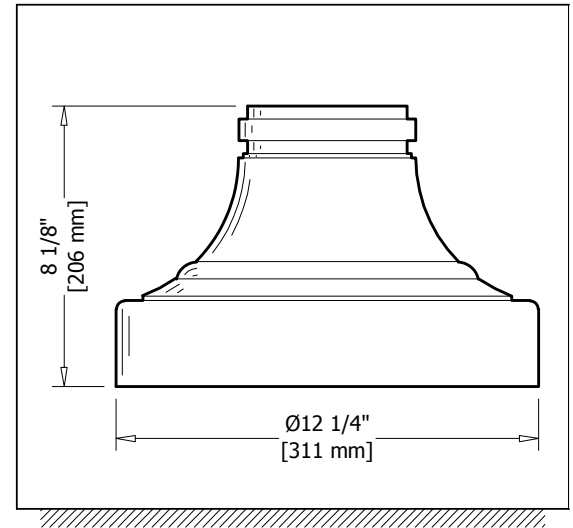
- All surfaces are chemically treated against corrosion through a multi-stage immersion process. The polyester powder finish is applied by a thermostatic process offering an excellent protection conforming to ASTM G7, D-2247 and B-117/D-1654 standards. Standard colours are black, bronze and white with a textured finish. Consult SDL's "Colour Selection Guide" for others.

HARDWARE

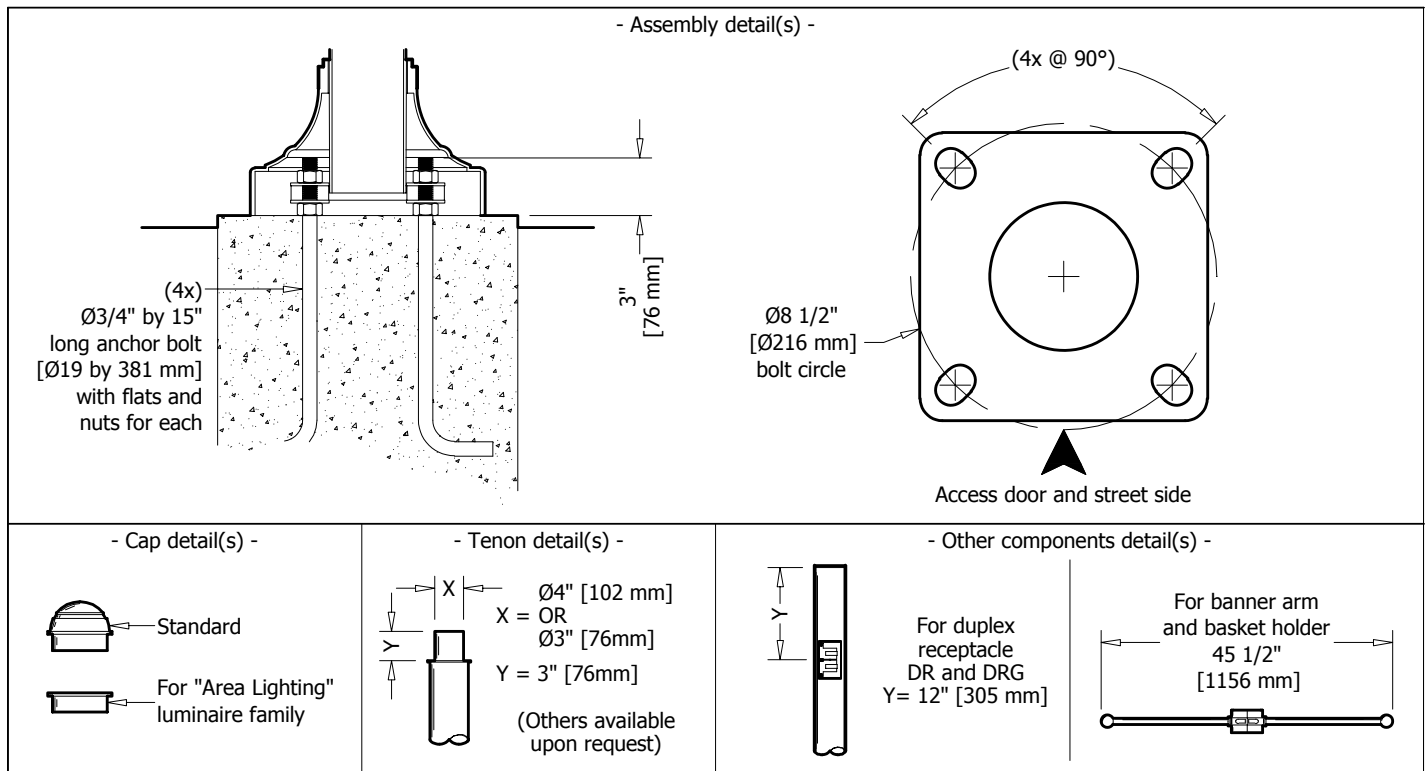
- All exterior hardware is made of stainless steel.

WARRANTY

- This product has a three year warranty on the finish and against any manufacturing defect. The ballast and its components are covered by the manufacturer's warranty.



<input type="text" value="Type"/>	<input type="text" value="Quantity"/>	<input type="text" value="Model"/>	<input type="text" value="Section"/>	<input type="text" value="Height"/>	<input type="text" value="Wall thickness"/>	<input type="text" value="Colour"/>	<input type="text" value="Other components"/>
Submitted on _____ for <input type="checkbox"/> Information <input type="checkbox"/> Approval				Project — _____			
<input type="checkbox"/> Cap <input type="checkbox"/> Ø3" x 3" tenon <input type="checkbox"/> Ø4" x 3" tenon				Distributor — _____			
Other(s) — <input style="width: 100%;" type="text"/>				Your order # — _____			
				Representative — _____			
				Our order # — _____			



- Specification guide -

Section	Height	Wall thickness	Colour	Other components
Dimension 4" [102 mm] 4	8' [2,44 m] 8 <input type="checkbox"/> 10' [3,05 m] 10 <input type="checkbox"/> 12' [3,66 m] 12 <input type="checkbox"/> 14' [4,27 m] 14 <input type="checkbox"/> 16' [4,88 m] 16 <input type="checkbox"/> 18' [5,49 m] 18 <input type="checkbox"/> 20' [6,10 m] 20 <input type="checkbox"/> 22' [6,71 m] 22 <input checked="" type="checkbox"/> 24' [7,32 m] 24 <input checked="" type="checkbox"/> Others <input checked="" type="checkbox"/>	1/8" [3 mm] L <input type="checkbox"/> 3/16" [5 mm] M <input type="checkbox"/> 1/4" [6 mm] H <input type="checkbox"/>	Standard Colours Textured black A11 <input type="checkbox"/> Textured bronze B11 <input type="checkbox"/> Textured white C11 <input type="checkbox"/> Special Colours Textured beige D11 <input type="checkbox"/> Silver E10 <input type="checkbox"/> Silver charcoal E20 <input type="checkbox"/> Textured grey blue G11 <input type="checkbox"/> Textured blue H11 <input type="checkbox"/> Textured dark blue H21 <input type="checkbox"/> Textured dark turquoise J11 <input type="checkbox"/> Textured turquoise J21 <input type="checkbox"/> Textured forest green K11 <input type="checkbox"/> Textured dark forest green K21 <input type="checkbox"/> Textured dark green K31 <input type="checkbox"/> Fine textured dark green K42 <input type="checkbox"/> Textured red M11 <input type="checkbox"/> Textured burgundy M21 <input type="checkbox"/> Fine textured patina X11 <input type="checkbox"/> Custom colour CC <input checked="" type="checkbox"/>	Optional Duplex receptacle DR <input type="checkbox"/> Ground fault duplex receptacle DRG <input type="checkbox"/> Banner arm <input type="checkbox"/> LR41 <input checked="" type="checkbox"/> <input type="checkbox"/> LR42 <input checked="" type="checkbox"/> Basket holder <input type="checkbox"/> LH41 <input checked="" type="checkbox"/> <input type="checkbox"/> LH42 <input checked="" type="checkbox"/> <input type="checkbox"/> LH43 <input checked="" type="checkbox"/> <input type="checkbox"/> LH44 <input checked="" type="checkbox"/>

- Available only for steel pole
- Available only in aluminium & M wall thickness
- ◆ Consider a greater EPA when adding accessories to this component.
- ★ Consult manufacturer

IMPORTANT NOTICE
 Éclairage SDL inc. disclaims any responsibility for problems that could occur from a combination of third party products with those of Éclairage SDL inc.

Order example	WE	-	4ALR	-	12	-	L	-	A11	-	DR/LR42
	Model		Section		Height		Wall thickness		Colour		Other components