

CONSTRUCTION

- A** Housing - Constructed with spun, extruded and cast aluminium parts. The topmost part provides four bolts for installation.
- B** Lens frame - Made of two cast aluminium pieces hinged together. This frame is fully gasketed and offers easy access to the lamp.

OPTICS

- C** Lens - Made of borosilicate glass.
- D** Reflector - Made of segmented specular aluminium for multi-image duplication of the luminous arc. Offers a photometric distribution of IES type II or III.

ELECTRICAL COMPONENTS

- E** Ballast - Easily accessible, the ballast is mounted on a removable heavy gauge galvanized steel tray, is equipped with a quick disconnect wiring system and is factory pre wired and tested. It has a high power-factor of 90% or more and is either CWA, CWI, HX, or reactor type. All electrical components are CSA and UL approved.
- F** Socket - Made of porcelain and 4KV pulse rated. For 175W or less, medium base and for 200W or more, mogul base (lamp not included).

FINISH

- All surfaces are chemically treated against corrosion through a multi-stage immersion process. The polyester powder finish is applied by a thermostatic process offering an excellent protection conforming to ASTM G7, D-2247 and B-117/D-1654 standards. Standard colours are black, bronze and white with a textured finish. Consult SDL's "Colour Selection Guide" for others.

OPTIONS

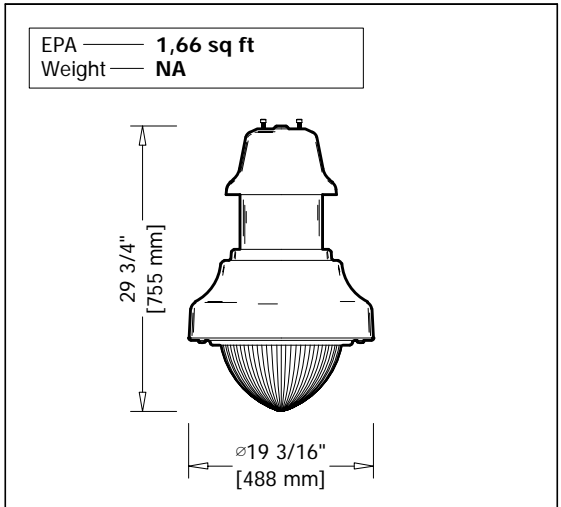
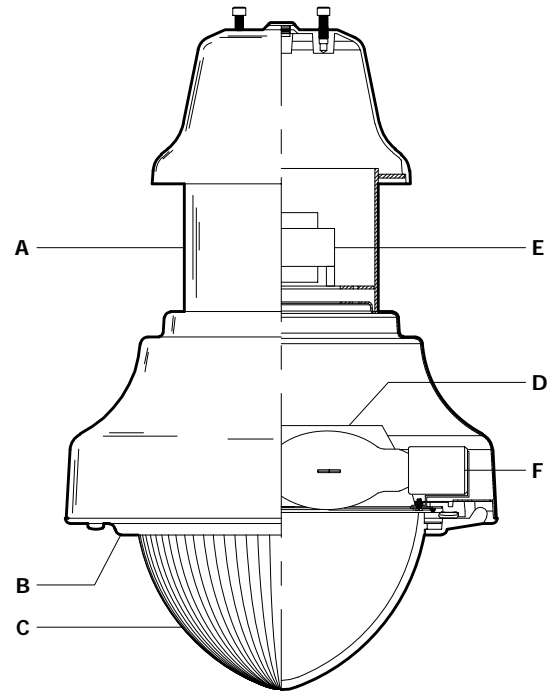
- Photoelectric cell - Integrated in a button type polymer housing. CSA and UL approved.

HARDWARE

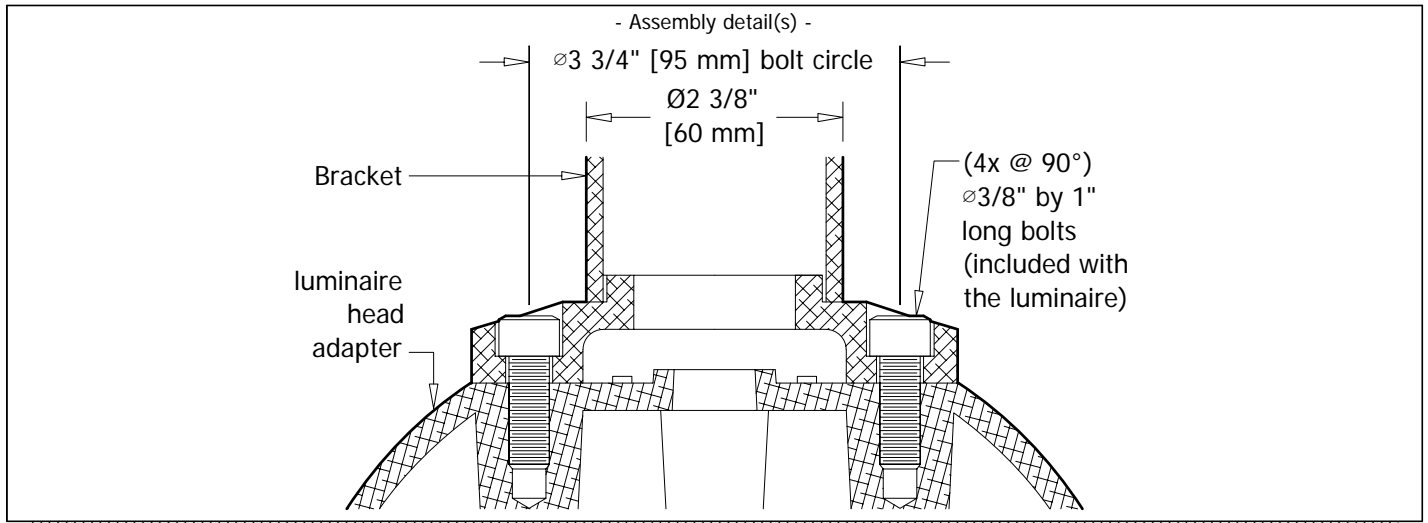
- All exterior hardware is made of stainless steel.

WARRANTY

- This product has a three year warranty on the finish and against any manufacturing defect. The ballast and its components are covered by the manufacturer's warranty.



Type	Quantity	Model	Distribution	Wattage	Voltage	Colour	Other components
<input type="text"/>	<input type="text"/>	<input type="text"/>	<input type="text"/>	<input type="text"/>	<input type="text"/>	<input type="text"/>	<input type="text"/>
Submitted on _____ for <input type="checkbox"/> Information <input type="checkbox"/> Approval				Project — _____			
Socket — <input type="checkbox"/> Medium <input type="checkbox"/> Mogul <input type="checkbox"/> _____				Distributor — _____			
Other(s) — <input style="width: 100%;" type="text"/>				Your order # — _____			
				Representative — _____			
				Our order # — _____			



Distribution	Wattage	Voltage	Colour	Other components
<p style="text-align: center;">Reflector</p> <div style="display: flex; justify-content: space-between;"> <div style="text-align: center;"> Type 2 — RD2 <input type="checkbox"/> </div> <div style="text-align: center;"> Type 3 — RD3 <input type="checkbox"/> </div> </div>	<p style="text-align: center;">MH</p> <p>175H <input type="checkbox"/></p> <p>250H <input type="checkbox"/></p> <hr/> <p style="text-align: center;">MH pulse start</p> <p>70P <input type="checkbox"/></p> <p>100P <input type="checkbox"/></p> <p>125P <input type="checkbox"/></p> <p>150P <input type="checkbox"/></p> <p>200P <input type="checkbox"/></p> <p>250P <input type="checkbox"/></p> <hr/> <p style="text-align: center;">HPS</p> <p>70S <input type="checkbox"/></p> <p>100S <input type="checkbox"/></p> <p>150S <input type="checkbox"/></p> <p>250S <input type="checkbox"/></p> <hr/> <p style="text-align: center;">Others</p> <p style="text-align: center;">★ <input type="checkbox"/></p>	<p>120 <input type="checkbox"/></p> <p>208 <input type="checkbox"/></p> <p>240 <input type="checkbox"/></p> <p>277 <input type="checkbox"/></p> <p>347 <input type="checkbox"/></p>	<p style="text-align: center;">Standard Colours</p> <p>Textured black — A11 <input type="checkbox"/></p> <p>Textured bronze — B11 <input type="checkbox"/></p> <p>Textured white — C11 <input type="checkbox"/></p> <hr/> <p style="text-align: center;">Special Colours</p> <p>Textured beige — D11 <input type="checkbox"/></p> <p>Silver — E10 <input type="checkbox"/></p> <p>Silver charcoal — E20 <input type="checkbox"/></p> <p>Textured grey blue — G11 <input type="checkbox"/></p> <p>Textured blue — H11 <input type="checkbox"/></p> <p>Textured dark blue — H21 <input type="checkbox"/></p> <p>Textured dark turquoise — J11 <input type="checkbox"/></p> <p>Textured turquoise — J21 <input type="checkbox"/></p> <p>Textured forest green — K11 <input type="checkbox"/></p> <p>Textured dark forest green — K21 <input type="checkbox"/></p> <p>Textured dark green — K31 <input type="checkbox"/></p> <p>Fine textured dark green — K42 <input type="checkbox"/></p> <p>Textured red — M11 <input type="checkbox"/></p> <p>Textured burgundy — M21 <input type="checkbox"/></p> <p>Fine textured patina — X11 <input type="checkbox"/></p> <p>Custom colour — CC ★ <input type="checkbox"/></p>	<p style="text-align: center;">Optional</p> <div style="display: flex; align-items: center;"> <div style="margin-left: 10px;"> <p>Button type photoelectric cell — PB <input type="checkbox"/></p> </div> </div>
	<p>Up to 175W: medium socket</p> <p>200W and up: mogul socket</p>			

★ Consult manufacturer

IMPORTANT NOTICE

Eclairage SDL inc. disclaims any responsibility for problems that could occur from a combination of third party products with those of Eclairage SDL inc.

Order example	7230	-	RD3	-	175H	-	120	-	A11	-	PB
	Model		Distribution		Wattage		Voltage		Colour		Other components