

CONSTRUCTION

- A** Housing - Consists of a frame made of extruded aluminium and welded on the perimeter of a heavy gauge aluminium roof. An extruded aluminium hook is used to support the electrical components and to strengthen the housing. An internal plate equipped with hinges and made of steel provides access to the ballast and its electrical components.
- B** Lens frame - Built of extruded aluminium parts and equipped with an integrated hinge. A high-strength EPDM gasket ensures sealing of the luminaire and prevents dust from infiltrating.
- C** Mounting arm - Made of a 4" by 4" (102 mm by 102 mm) heavy gauge aluminium extrusion with a square section. The arm includes two internal hollow grooves that support two Ø1/2" (13 mm) support threaded rods made of zinc plated steel.

OPTICS

- D** Lens - Made of tempered glass, clear, flat and heat resistant.
- E** Reflector - Made of segmented specular aluminium for multi-image duplication of the luminous arc. Offers a photometric distribution of IES type II, III, IV or V.

ELECTRICAL COMPONENTS

- F** Ballast - Easily accessible, the ballast is mounted on a removable heavy gauge galvanized steel tray, is equipped with a quick disconnect wiring system and is factory pre wired and tested. It has a high power-factor of 90% or more and is either CWA, CWI, HX, or reactor type. All electrical components are CSA and UL approved.
- Socket - Made of porcelain and 4KV pulse rated. For 175W or less, medium base and for 200W or more, mogul base (lamp not included).

FINISH

- All surfaces are chemically treated against corrosion through a multi-stage immersion process. The polyester powder finish is applied by a thermostatic process offering an excellent protection conforming to ASTM G7, D-2247 and B-117/D-1654 standards. Standard colours are black, bronze and white with a textured finish. Consult SDL's "Colour Selection Guide" for others.

OPTIONS

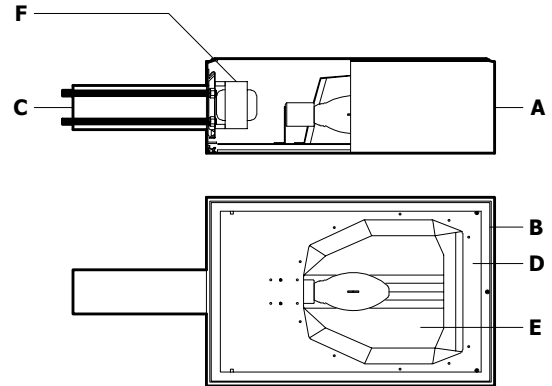
- Photoelectric cell - Integrated in a button type polymer housing. CSA and UL approved.

HARDWARE

- All exterior hardware is made of stainless steel.

WARRANTY

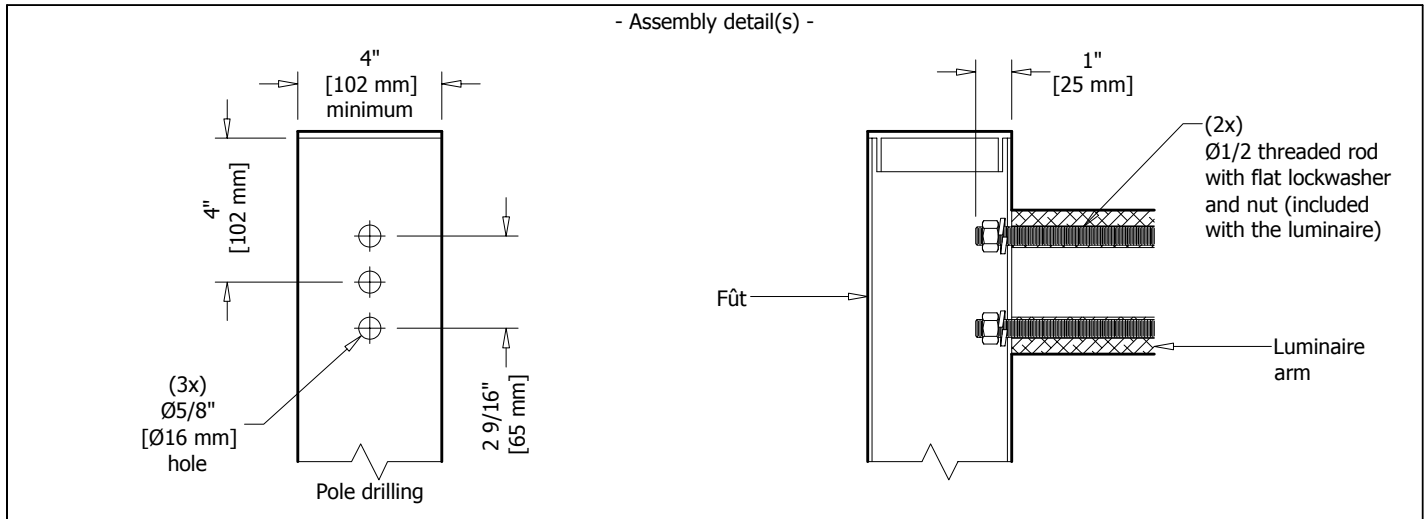
- This product has a three year warranty on the finish and against any manufacturing defect. The ballast and its components are covered by the manufacturer's warranty.



Up to 175W EPA — 2,12 sq ft Weight — 37 lb (16,8 kg) 200W to 400W EPA — 2,48 sq ft Weight — 45 lb (20,4 kg)	
Up to 175W: 8" [204 mm] 200W to 400W: 12" [305 mm]	
Up to 175W: 14 x 22" [356 x 559 mm] 200W to 400W: 17 x 26" [432 x 661 mm]	

Type	Quantity	Model	Distribution	Wattage	Voltage	Colour	Other components
<input type="text"/>	<input type="text"/>	<input type="text"/>	<input type="text"/>	<input type="text"/>	<input type="text"/>	<input type="text"/>	<input type="text"/>
Submitted on _____ for <input type="checkbox"/> Information <input type="checkbox"/> Approval				Project — _____			
Socket — <input type="checkbox"/> Medium <input type="checkbox"/> Mogul <input type="checkbox"/> _____				Distributor — _____			
Other(s) — <input style="width: 100%;" type="text"/>				Your order # — _____			
				Representative — _____			
				Our order # — _____			

- Assembly detail(s) -



- Specification guide -

IES distribution	Wattage	Voltage	Colour	Other components
Reflector Type 2 <input type="checkbox"/> RD2 Type 3 <input type="checkbox"/> RD3 Type 4 <input type="checkbox"/> RD4 Type 5 <input type="checkbox"/> RD5	MH 175H <input type="checkbox"/> 250H ● <input type="checkbox"/> 400H ● <input type="checkbox"/> <hr/> MH pulse start 70P <input type="checkbox"/> 100P <input type="checkbox"/> 125P <input type="checkbox"/> 150P <input type="checkbox"/> 200P ● <input type="checkbox"/> 250P ● <input type="checkbox"/> 320P ● <input type="checkbox"/> 350P ● <input type="checkbox"/> 400P ● <input type="checkbox"/> <hr/> HPS 70S <input type="checkbox"/> 100S <input type="checkbox"/> 150S <input type="checkbox"/> 200S ▲ <input type="checkbox"/> 250S ▲ <input type="checkbox"/> 400S ▲ <input type="checkbox"/>	120 <input type="checkbox"/> 208 <input type="checkbox"/> 240 <input type="checkbox"/> 277 <input type="checkbox"/> 347 <input type="checkbox"/>	Standard Colours Textured black <input type="checkbox"/> A11 Textured bronze <input type="checkbox"/> B11 Textured white <input type="checkbox"/> C11 <hr/> Special Colours Textured beige <input type="checkbox"/> D11 Silver <input type="checkbox"/> E10 Silver charcoal <input type="checkbox"/> E20 Textured grey blue <input type="checkbox"/> G11 Textured blue <input type="checkbox"/> H11 Textured dark blue <input type="checkbox"/> H21 Textured dark turquoise <input type="checkbox"/> J11 Textured turquoise <input type="checkbox"/> J21 Textured forest green <input type="checkbox"/> K11 Textured dark forest green <input type="checkbox"/> K21 Textured dark green <input type="checkbox"/> K31 Fine textured dark green <input type="checkbox"/> K42 Textured red <input type="checkbox"/> M11 Textured burgundy <input type="checkbox"/> M21 Fine textured patina <input type="checkbox"/> X11 Custom colour <input type="checkbox"/> CC ★	Optional Button type photoelectrical cell <input type="checkbox"/> PB

 Up to 175W:
medium
socket

 200W and up:
mogul
socket

- ▲ Use ED-18 bulb type
- Use ED-28 bulb type
- ★ Consult manufacturer

General note : When ordering, please specify the Ø of the pole.

IMPORTANT NOTICE

Éclairage SDL inc. disclaims any responsibility for problems that could occur from a combination of third party products with those of Éclairage SDL inc.

Order example	25F	-	RD2	-	175H	-	120	-	A11	-	PB
	Model		Distribution		Wattage		Voltage		Colour		Other components