

**CONSTRUCTION**

- A** Housing - Mainly composed of heavy gauge spun aluminium parts, welded to a moulded aluminium fastening system and to a central aluminium tube. A sturdy aluminium alloy plate at the bottom portion of the housing closes the assembly. The housing assembles to a vast range of SDL brackets via a 1-3/16" adapter fastening system on its top or a weld on its side. Consult the brochure "Poles and accessories" for the selection of a bracket.
- B** Lens frame - Made of heavy gauge spun aluminium, provided with an integrated hinge and a screw that allow easy access to the internal components. A high-strength EPDM gasket ensures sealing and prevents dust from infiltrating inside the luminaire.

**OPTICS**

- C** Lens - Made of tempered glass, clear, flat and heat resistant. A drop lens made of one piece thermoformed polycarbonate, clear and impact resistant is also available.
- D** Reflector - Made of segmented hammertone and semi-specular aluminium for multi-image duplication of the luminous arc. Offers a photometric distribution of IES type III.

**ELECTRICAL COMPONENTS**

- Ballast - Easily accessible, the ballast is mounted on a removable heavy gauge galvanized steel tray, is equipped with a quick disconnect wiring system and is factory pre wired and tested. It has a high power-factor of 90% or more and is either CWA, CWI, HX, or reactor type. All electrical components are CSA and UL approved. The ballast must be installed in an SDL bracket.
- Socket - Made of porcelain, medium base and 4KV pulse rated (lamp not included).

**FINISH**

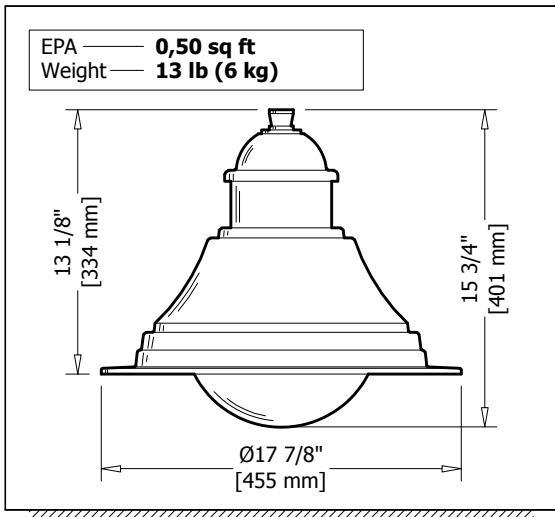
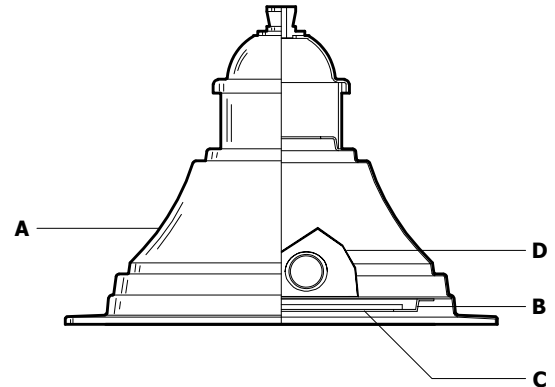
- All surfaces are chemically treated against corrosion through a multi-stage immersion process. The polyester powder finish is applied by a thermostatic process offering an excellent protection conforming to ASTM G7, D-2247 and B-117/D-1654 standards. Standard colours are black, bronze and white with a textured finish. Consult SDL's "Colour Selection Guide" for others.

**HARDWARE**

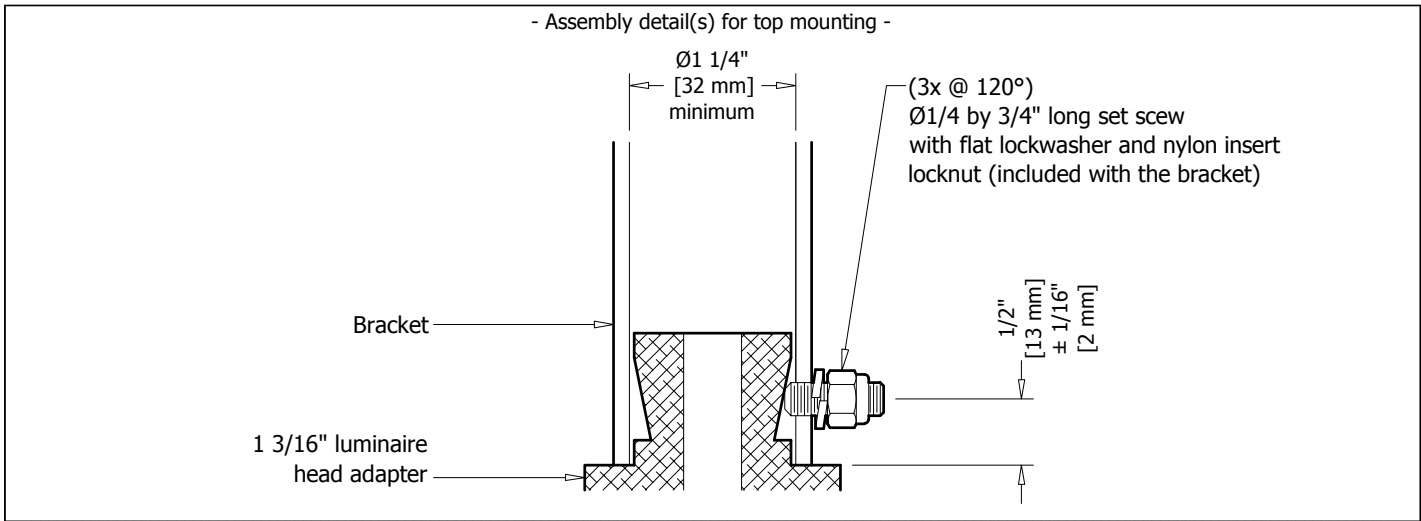
- All exterior hardware is made of stainless steel.

**WARRANTY**

- This product has a three year warranty on the finish and against any manufacturing defect. The ballast and its components are covered by the manufacturer's warranty.



Type	Quantity	Model	Distribution	Wattage	Voltage	Colour	Other components
<input type="text"/>	<input type="text"/>	<input type="text"/>	<input type="text"/>	<input type="text"/>	<input type="text"/>	<input type="text"/>	<input type="text"/>
Submitted on _____ for <input type="checkbox"/> Information <input type="checkbox"/> Approval				Project — _____			
Socket — <input type="checkbox"/> Medium <input type="checkbox"/> Mogul <input type="checkbox"/> _____				Distributor — _____			
Other(s) — <input style="width: 100%;" type="text"/>				Your order # — _____			
				Representative — _____			
				Our order # — _____			



IES distribution	Wattage	Voltage	Colour	Other components
<p style="text-align: center;">Reflector</p> <p style="text-align: center;">Type 3 <span style="float: right;"><b>RD3</b> <input type="checkbox"/></span></p>	<p>MH</p> <p><b>175H</b> <input type="checkbox"/></p> <hr/> <p>MH pulse start</p> <p><b>50P</b> <input type="checkbox"/></p> <p><b>70P</b> <input type="checkbox"/></p> <p><b>100P</b> <input type="checkbox"/></p> <p><b>125P</b> <input type="checkbox"/></p> <p><b>150P</b> <input type="checkbox"/></p> <hr/> <p>HPS</p> <p><b>35S</b> <input type="checkbox"/></p> <p><b>50S</b> <input type="checkbox"/></p> <p><b>70S</b> <input type="checkbox"/></p> <p><b>100S</b> <input type="checkbox"/></p> <p><b>150S</b> <input type="checkbox"/></p> <hr/> <p>Others</p> <p style="text-align: center;">★ <input type="checkbox"/></p> <p style="text-align: center;">Medium socket only</p>	<p><b>120</b> <input type="checkbox"/></p> <p><b>208</b> <input type="checkbox"/></p> <p><b>240</b> <input type="checkbox"/></p> <p><b>277</b> <input type="checkbox"/></p> <p><b>347</b> <input type="checkbox"/></p>	<p style="text-align: center;">Standard Colours</p> <p>Textured black <span style="float: right;"><b>A11</b> <input type="checkbox"/></span></p> <p>Textured bronze <span style="float: right;"><b>B11</b> <input type="checkbox"/></span></p> <p>Textured white <span style="float: right;"><b>C11</b> <input type="checkbox"/></span></p> <hr/> <p style="text-align: center;">Special Colours</p> <p>Textured beige <span style="float: right;"><b>D11</b> <input type="checkbox"/></span></p> <p>Silver <span style="float: right;"><b>E10</b> <input type="checkbox"/></span></p> <p>Silver charcoal <span style="float: right;"><b>E20</b> <input type="checkbox"/></span></p> <p>Textured grey blue <span style="float: right;"><b>G11</b> <input type="checkbox"/></span></p> <p>Textured blue <span style="float: right;"><b>H11</b> <input type="checkbox"/></span></p> <p>Textured dark blue <span style="float: right;"><b>H21</b> <input type="checkbox"/></span></p> <p>Textured dark turquoise <span style="float: right;"><b>J11</b> <input type="checkbox"/></span></p> <p>Textured turquoise <span style="float: right;"><b>J21</b> <input type="checkbox"/></span></p> <p>Textured forest green <span style="float: right;"><b>K11</b> <input type="checkbox"/></span></p> <p>Textured dark forest green <span style="float: right;"><b>K21</b> <input type="checkbox"/></span></p> <p>Textured dark green <span style="float: right;"><b>K31</b> <input type="checkbox"/></span></p> <p>Fine textured dark green <span style="float: right;"><b>K42</b> <input type="checkbox"/></span></p> <p>Textured red <span style="float: right;"><b>M11</b> <input type="checkbox"/></span></p> <p>Textured burgundy <span style="float: right;"><b>M21</b> <input type="checkbox"/></span></p> <p>Fine textured patina <span style="float: right;"><b>X11</b> <input type="checkbox"/></span></p> <p>Custom colour <span style="float: right;"><b>CC</b> ★ <input type="checkbox"/></span></p>	<p style="text-align: center;">Compulsory</p> <p>Side mounted <span style="float: right;"><b>SM</b> <input type="checkbox"/></span></p> <p>Top mounted <span style="float: right;"><b>TM</b> <input type="checkbox"/></span></p> <hr/> <p style="text-align: center;">Optional</p> <p>Polycarbonate drop lens <span style="float: right;"><b>DP</b> <input type="checkbox"/></span></p>

● Ballast in wall bracket  
★ Consult manufacturer

IMPORTANT NOTICE

Éclairage SDL inc. disclaims any responsibility for problems that could occur from a combination of third party products with those of Éclairage SDL inc.

Order example	<b>7122</b>	- <b>RD3</b> -	- <b>175H</b> -	- <b>120</b> -	- <b>A11</b> -	- <b>DP</b>
	Model	Distribution	Wattage	Voltage	Colour	Other components