

**CONSTRUCTION**

- A** Hat - Made of one piece moulded 356 aluminium alloy. The hat assembles to a vast range of SDL brackets via a 1-3/16" adapter fastening system on its top or a weld on its side. Consult the brochure "Poles and accessories" for the selection of a bracket.
- B** Cage - Consists of four Ø1/2" (13 mm) aluminium tubes welded around a decorative curved aluminium band. The tubes are fixed to a moulded aluminium plate using decorative stainless steel nuts and threaded rods. This removable plate, firmly fixed to the cover using three set screws and a tilted stopper system, facilitates access to the internal components. A high-strength EPDM gasket, placed between the plate and the lens, ensures sealing and prevents dust from infiltrating inside the luminaire.
- C** Louvre - Made of one piece heavy gauge spun aluminium.

**OPTICS**

- D** Lens - One piece thermoformed clear UV stabilized acrylic. The lens is seamless.
- E** Refractor - Made of prismatic borosilicate glass, supported by a spun aluminium part. Offers a distribution of IES type IV or V.

**ELECTRICAL COMPONENTS**

- Ballast - Easily accessible, the ballast is mounted on a removable heavy gauge galvanized steel tray, is equipped with a quick disconnect wiring system and is factory pre wired and tested. It has a high power-factor of 90% or more and is either CWA, CWI, HX, or reactor type. All electrical components are CSA and UL approved. The ballast must be installed in an SDL bracket.
- Socket - Made of porcelain, medium base and 4KV pulse rated (lamp not included).

**FINISH**

- All surfaces are chemically treated against corrosion through a multi-stage immersion process. The polyester powder finish is applied by a thermostatic process offering an excellent protection conforming to ASTM G7, D-2247 and B-117/D-1654 standards. Standard colours are black, bronze and white with a textured finish. Consult SDL's "Colour Selection Guide" for others.

**OPTIONS**

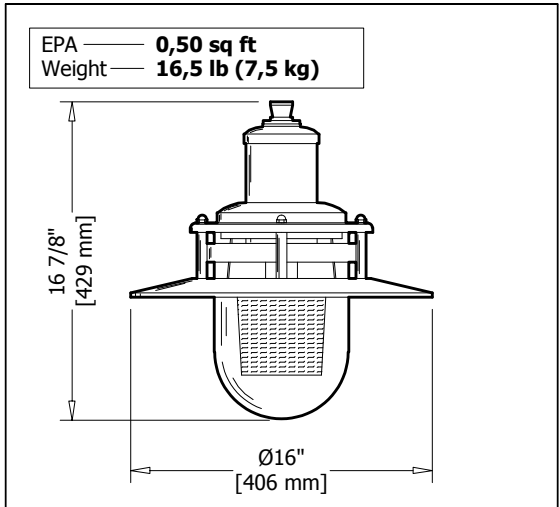
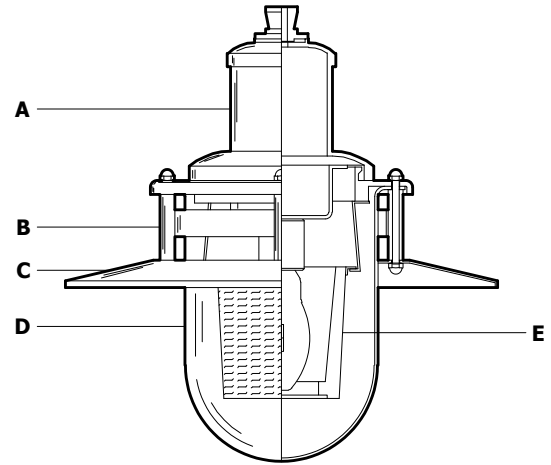
- Photoelectric cell - Integrated in a button type polymer housing. CSA and UL approved.

**HARDWARE**

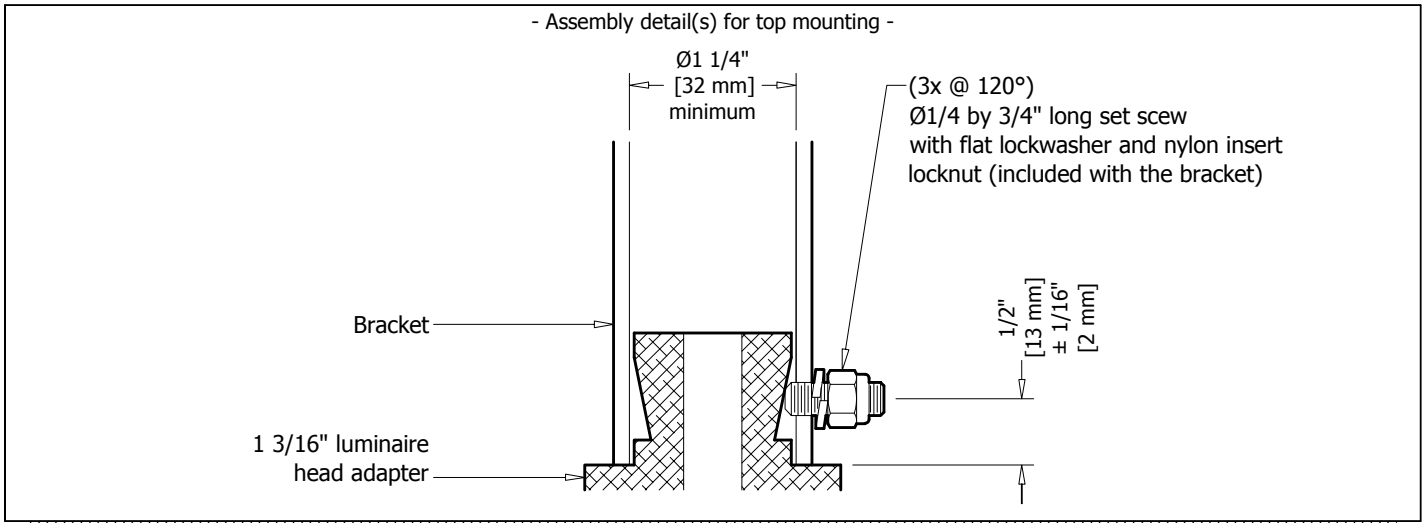
- All exterior hardware is made of stainless steel.

**WARRANTY**

- This product has a three year warranty on the finish and against any manufacturing defect. The ballast and its components are covered by the manufacturer's warranty.



Type	Quantity	Model	Distribution	Wattage	Voltage	Colour	Other components
<input type="text"/>	<input type="text"/>	<input type="text"/>	<input type="text"/>	<input type="text"/>	<input type="text"/>	<input type="text"/>	<input type="text"/>
Submitted on _____ for <input type="checkbox"/> Information <input type="checkbox"/> Approval				Project — _____			
Socket — <input type="checkbox"/> Medium <input type="checkbox"/> Mogul <input type="checkbox"/> _____				Distributor — _____			
Other(s) — <input type="text"/>				Your order # — _____			
				Representative — _____			
				Our order # — _____			



IES distribution	Wattage	Voltage	Colour	Other components
<p>Refractor</p> <p>Type 4 <input type="checkbox"/> <b>GR4</b></p> <p>Type 5 <input type="checkbox"/> <b>GR5</b></p>	<p>MH</p> <p><b>175H</b> <input type="checkbox"/></p> <hr/> <p>MH pulse start</p> <p><b>50P</b> <input type="checkbox"/></p> <p><b>70P</b> <input type="checkbox"/></p> <p><b>100P</b> <input type="checkbox"/></p> <p><b>125P</b> <input type="checkbox"/></p> <p><b>150P</b> <input type="checkbox"/></p> <p><b>175P</b> <input type="checkbox"/></p> <hr/> <p>HPS</p> <p><b>35S</b> <input type="checkbox"/></p> <p><b>50S</b> <input type="checkbox"/></p> <p><b>70S</b> <input type="checkbox"/></p> <p><b>100S</b> <input type="checkbox"/></p> <p><b>150S</b> <input type="checkbox"/></p> <hr/> <p>Others</p> <p>★ <input type="checkbox"/></p> <p style="text-align: center;">Medium socket only</p>	<p><b>120</b> <input type="checkbox"/></p> <p><b>208</b> <input type="checkbox"/></p> <p><b>240</b> <input type="checkbox"/></p> <p><b>277</b> <input type="checkbox"/></p> <p><b>347</b> <input type="checkbox"/></p>	<p>Standard Colours</p> <p>Textured black <input type="checkbox"/> <b>A11</b></p> <p>Textured bronze <input type="checkbox"/> <b>B11</b></p> <p>Textured white <input type="checkbox"/> <b>C11</b></p> <hr/> <p>Special Colours</p> <p>Textured beige <input type="checkbox"/> <b>D11</b></p> <p>Silver <input type="checkbox"/> <b>E10</b></p> <p>Silver charcoal <input type="checkbox"/> <b>E20</b></p> <p>Textured grey blue <input type="checkbox"/> <b>G11</b></p> <p>Textured blue <input type="checkbox"/> <b>H11</b></p> <p>Textured dark blue <input type="checkbox"/> <b>H21</b></p> <p>Textured dark turquoise <input type="checkbox"/> <b>J11</b></p> <p>Textured turquoise <input type="checkbox"/> <b>J21</b></p> <p>Textured forest green <input type="checkbox"/> <b>K11</b></p> <p>Textured dark forest green <input type="checkbox"/> <b>K21</b></p> <p>Textured dark green <input type="checkbox"/> <b>K31</b></p> <p>Fine textured dark green <input type="checkbox"/> <b>K42</b></p> <p>Textured red <input type="checkbox"/> <b>M11</b></p> <p>Textured burgundy <input type="checkbox"/> <b>M21</b></p> <p>Fine textured patina <input type="checkbox"/> <b>X11</b></p> <p>Custom colour <input type="checkbox"/> <b>CC</b> ★</p>	<p>Compulsory</p> <p>Side mounted <input type="checkbox"/> <b>SM</b></p> <p>Top mounted <input type="checkbox"/> <b>TM</b></p> <hr/> <p>Optional</p> <p>Button type photoelectric cell <input type="checkbox"/> <b>PB</b></p>

**IMPORTANT NOTICE**  
Éclairage SDL inc. disclaims any responsibility for problems that could occur from a combination of third party products with those of Éclairage SDL inc.

★ Consult manufacturer

Order example	<b>8100</b>	-	<b>GR4</b>	-	<b>70P</b>	-	<b>120</b>	-	<b>A11</b>	-	<b>PB</b>
	Model		Distribution		Wattage		Voltage		Colour		Other components