



MR16 Round Wall Mount, Core Drill **MODEL WM11**
12 Volt, 35 Watt Max., MR16 Halogen

Specifications:

Faceplate: The aluminum or brass faceplate is pressed on to a machined, black anodized, aluminum cap, which is attached to the lamp holder (see below). All seals are high temperature silicone O-rings. A 1/8" thick, tempered, clear lens, is secured to the faceplate with a high temperature, UV curing, silicone adhesive for a water tight seal. The faceplate accepts up to three internal lens accessories, held in place by a stainless steel clip. The faceplate has two Ø3/16" countersunk mounting holes (mounting hardware not included).

Lamp Holder: The machined 6061-T6 aluminum, black anodized lamp holder contains the socket and lamp, attaches to the faceplate cap using one 18-8 stainless steel set screw, and is sealed with high temperature silicone O-rings. The Lamp Holder is supplied with 6' of 16-2 cable. Cable exit is sealed with a polymer water tight strain relief fitting.

Finish: TGIC thermo set polyester powder coat paint available in 14 standard colors. On aluminum model, finish is applied over a corrosion resistant chromate conversion coating. Aluminum model available in one additional metal finish: Clear Anodized. Brass model available in three additional metal finishes: Natural, Polished, and Aged.

Socket: GY-6.35 porcelain socket with 600V, 250°C, PTFE coated 18 ga leads.

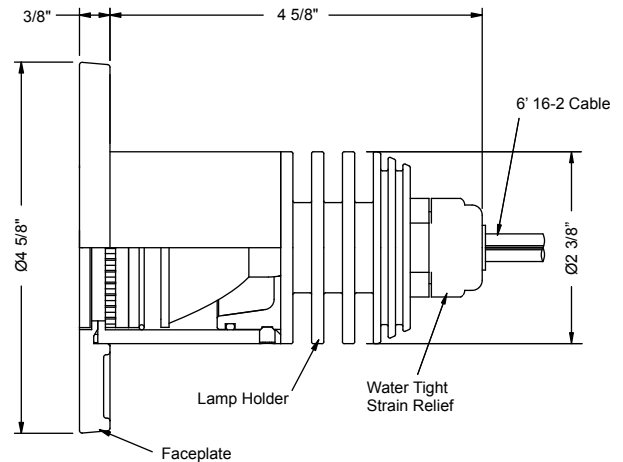
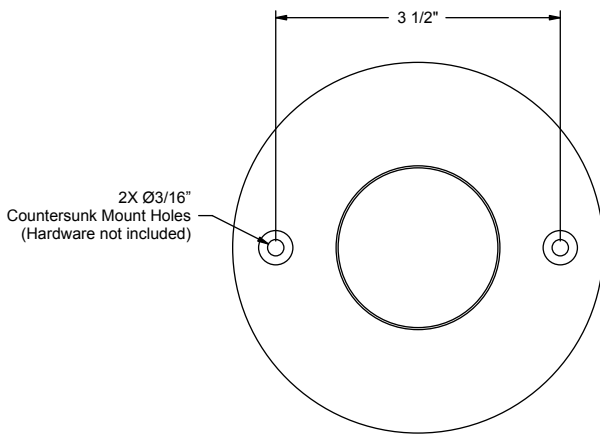
Lamp: 12 Volt Bi-pin MR16 halogen up to 35 watts (Maximum allowable wattage depends on model. See **Certification** heading).

Certification: CSA tested & certified to US and Canadian safety standards for the following applications (not intended for use with combustible surfaces or thermal insulation contact):

Wet location wall mount use (UL1598):

WM11A - 35W Max. MR16 Halogen lamp.

WM11B - 20W Max. MR16 Halogen lamp.



Ordering Information:

Model	Finish	Lamp ^{1,2}	Lens Accy ²	Filter ²	Louver
WM11A - Aluminum	BL - Black	0 - None	0 - None	0 - None	0 - None
WM11B - Brass	BLT - Textured Black	MR16 Halogen:	L1 - Spread Lens	F1 - Red	H1 - Honeycomb Louver
	BN - Bronze	01 - ESX, 20W, 12° Narrow Spot	L2 - Linear Lens	F2 - Blue	
	BNT - Textured Bronze	02 - BAB, 20W, 40° Flood	L3 - Softening Lens	F3 - Light Blue	
	BAT - Textured Bark	03 - FRB, 35W, 12° Narrow Spot		F4 - Green	
	WI - White	04 - FRA, 35W, 23° Narrow Flood		F5 - Amber	
	GRT - Textured Green	05 - FMW, 35W, 40° Flood		F6 - Pink	
	SI - Silver			F7 - Mercury Vapor	
	GY - Grey				
	BE - Beige				
	GNT - Textured Granite				
	SAT - Textured Sand				
	PAT - Textured Patina				
	EAT - Textured Earth				
	CLA - Clear Anodized (WM11A only)				
	NAT - Natural (WM11B only)				
	POL - Polished (WM11B only)				
	AGE - Aged (WM11B only)				

Notes:

1. Allowable wattage depends on model and application. See **Certification** heading above.
2. LED lamps available separately. Contact your Vision3 lighting CSR. ('Lens Accy' & 'Filter' options should not be used with LED lamps.)
3. Specifications, certifications, and ordering information are subject to change. Please check website for latest specification sheets.

Example: WM11A - GRT - 01 - L1 - 0 - 0