

Installation Instructions

INSTRUCTIONS PERTAINING TO A RISK OF FIRE, OR INJURY TO PERSONS. IMPORTANT SAFETY INSTRUCTIONS

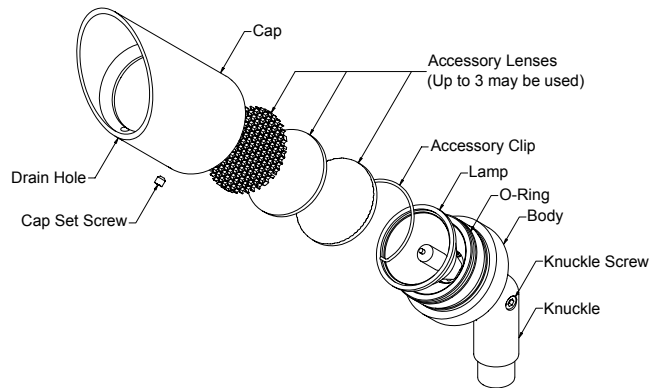
Warning! To reduce the risk of FIRE OR INJURY TO PERSONS:

1. Do not touch luminaire while lamp is on. Turn off/unplug and allow to cool before replacing lamp.
2. Lamp gets HOT quickly! Contact only switch/plug when turning on.
3. Do not touch hot lens, body, cap, or knuckle.
4. Keep lamp away from materials that may burn.
5. Do not touch lamp at any time. Use a soft cloth. Oil from your skin may damage lamp.
6. Do not operate the luminaire with damaged or missing parts.
7. Do not disassemble luminaire beyond cap removal to facilitate lamp and/or accessory installation or replacement
8. Remove any debris accumulated in the cap periodically.
9. Do not install luminaire within 10 feet of a pool, spa, or fountain.
10. Have fixture installed in accordance with all applicable installation codes and standards by a person familiar with the construction and operation of the fixture and the hazards involved.
11. Consult a qualified electrician to ensure correct branch circuit conductor.
12. Use only cable rated for low voltage. Cable buried more than 6" must be suitable for direct burial. Direct burial cable may be ordered from Vision3 Lighting.

SAVE THESE INSTRUCTIONS

Vertical Adjustment of Fixture:

1. Caution! Fixture will be hot if lamp is on.
2. Loosen the Knuckle Screw using a 5/32" hex tool – do not remove screw!
3. Grab fixture Body and push/pull to break grip of tapered knuckle lock.
4. Slightly tighten Knuckle Screw using the 5/32" hex tool, so that fixture holds position when released, but still moves when adjusted.
5. Adjust fixture to desired angle.
6. Tighten Knuckle Screw using the 5/32" hex tool. Do not over tighten! Tapered knuckle lock requires very little tightening to ensure fixture is locked in position.
7. Adjust cap so that Drain Hole is oriented at the lowest point allowable.



Re-lamping and/or accessory maintenance:

1. Remove power from fixture and let cool before touching.
2. Loosen Cap Set S crew using a 3/32" hex tool – do not remove screw!
3. Remove Cap. Pulling and twisting the Cap while removing reduces the risk of damaging the O-Ring.
4. Inspect O-Ring for damage. Replace if necessary.
5. Clean inside of fixture with a clean damp cloth.

For re-lamping:

- a. Caution! Lamp may still be hot! Be sure lamp has cooled before touching.
- b. Pull lamp straight out.
- c. Inspect socket for any damage.
- d. Push new lamp straight in, being careful to align pins. Note: Make sure proper wattage lamp is being used. See fixture label or submittal sheet for luminaire ratings.

For accessory maintenance:

- a. Remove Accessory Clip from cap of fixture.
- b. Carefully remove Accessories from cap, if any.
- c. Inspect Cap, Accessories, and Clip for damage.

Replace if necessary.

- d. Clean Cap and Accessories with a clean, damp cotton cloth.
 - e. Carefully install new Accessories into Cap (Cap may hold up to 3 Accessories).
 - f. Compress Clip and push into Cap until it holds Accessories tightly in Cap.
6. Install Cap on fixture by pushing and twisting slowly. If O-Ring is excessively dry, use a small amount of Krytox lubricant.
 7. Orient Cap so that the Drain Hole is at its lowest point.
 8. Tighten Cap Set Screw with the 3/32" hex tool so that it just bottoms out– Do not over tighten the Cap Set Screw! This may cause the fixture to not seal properly.