



Rear Mount MR16 Flood **MODEL FL1**
12 Volt, 50 Watt Max., MR16 Halogen

Specifications:

Body: Machined 6061-T6 aluminum, C36000 brass, or 304 stainless steel body with 18-8 stainless steel hardware.

Knuckle: Machined 6061-T6 aluminum, C36000 brass, or 304 stainless steel mounting knuckle with a 1/2" NPS threaded male fitting allows a full range of mounting positions. Double taper design (U.S. Patent #6,966,679) allows fixture to hold position during aiming and ensures a solid lock when tightened. Integral high temperature silicone O-ring prevents leaking between housing and knuckle. Available Rotate and Lock option (U.S. Patent #7,108,405) allows for full 360° horizontal aiming and locking. See Model MO7 - Rotate and Lock submittal for specifications.

Cap: Machined 6061-T6 aluminum, C36000 brass, or 304 stainless steel caps come in four styles, lock in place with one 18-8 stainless steel set screw, and are sealed to the body with a high temperature silicone O-ring. Regressed caps have drain holes for water drainage from top of lens if mounted in the up position. 'Flush Lens' cap styles incorporate a stepped lens to reduce the collection of water and debris on the lens. All caps accept up to three internal accessories, held in place by a stainless steel clip.

Finish: TGIC thermo set polyester powder coat paint available in 14 standard colors. On aluminum model, finish is applied over a corrosion resistant chromate conversion coating. Aluminum model available in one additional metal finish: Clear Anodized. Brass model available in three additional metal finishes: Natural, Polished, and Aged. Stainless steel model available in three additional metal finishes: Natural, Polished, and Brushed.

Socket: GY-6.35 porcelain socket with 600V, 250°C, PTFE coated 18 ga

leads.

Lamp: 12 Volt Bi-pin MR16 halogen up to 50 Watts. (Maximum allowable wattage depends on model and application. See **Certification** heading).

Lens: Tempered, clear lens, secured to cap with a high temperature, UV curing, silicone adhesive. Stepped lens is used in 'Flush Lens' cap style options to reduce the collection of water and debris on the lens.

Certification: CSA tested & certified to US and Canadian safety standards for the following applications:

Wet location landscape use (UL1838):

FL1A - 50W Max. MR16 Halogen lamp.

FL1B - 35W Max. MR16 Halogen lamp.

FL1S - 20W Max. MR16 Halogen lamp.

Wet location wall mount use (UL1598):

FL1A - 50W Max. MR16 Halogen lamp.

FL1B - 20W Max. MR16 Halogen lamp.

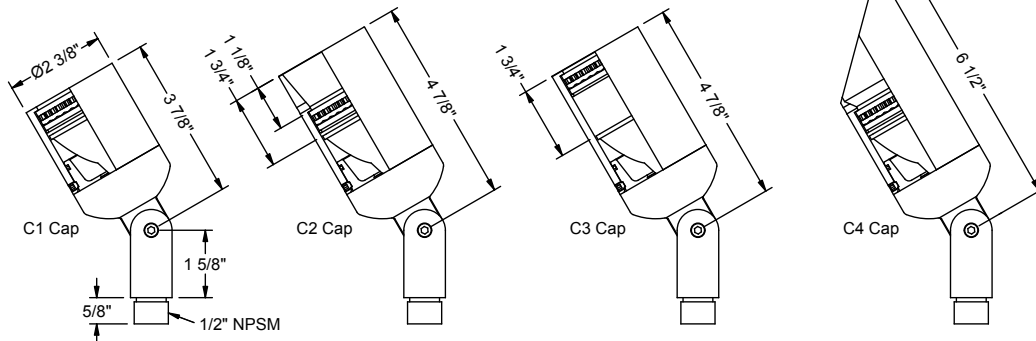
FL1S - 20W Max. MR16 Halogen lamp.

Wet location ceiling mount use (UL1598):

FL1A - 20W Max. MR16 Halogen lamp.

FL1B - 20W Max. MR16 Halogen lamp.

FL1S - 20W Max. MR16 Halogen lamp.



Ordering Information:

| Model | Finish | Cap Style | Knuckle | Lamp ^{1,3} | Lens Accy ³ | Filter ³ | Louver |
|------------------|-----------------------------------|-----------------------|---------------------------------|---------------------------------|------------------------|---------------------|-----------------------|
| FL1A - Aluminum | BL - Black | Standard Lens: | K1 - Standard ² | 0 - None | 0 - None | 0 - None | 0 - None |
| FL1B - Brass | BLT - Textured Black | C1 - Flush | K2 - Rotate & Lock ² | MR16 Halogen: | L1 - Spread Lens | F1 - Red | H1 - Honeycomb Louver |
| FL1S - Stainless | BN - Bronze | C2 - Regress Lens | | 01 - ESX, 20W, 12° Narrow Spot | L2 - Linear Lens | F2 - Blue | |
| | BNT - Textured Bronze | C3 - Regress Lamp | | 02 - BAB, 20W, 40° Flood | L3 - Softening Lens | F3 - Light Blue | |
| | BAT - Textured Bark | C4 - 45° Angled | | 03 - FRB, 35W, 12° Narrow Spot | | F4 - Green | |
| | WI - White | Flush Lens: | | 04 - FRA, 35W, 23° Narrow Flood | | F5 - Amber | |
| | GRT - Textured Green | C1F - Flush | | 05 - FMW, 35W, 40° Flood | | F6 - Pink | |
| | SI - Silver | C2F - Regress Lens | | 06 - EYR, 42W, 12° Narrow Spot | | F7 - Mercury Vapor | |
| | GY - Grey | C3F - Regress Lamp | | 07 - EYS, 42W, 25° Narrow Flood | | | |
| | BE - Beige | C4F - 45° Angled | | 08 - EYP, 42W, 40° Flood | | | |
| | GNT - Textured Granite | | | 09 - EXT, 50W, 13° Narrow Spot | | | |
| | SAT - Textured Sand | | | 10 - EXZ, 50W, 26° Narrow Flood | | | |
| | PAT - Textured Patina | | | 11 - EXN, 50W, 40° Flood | | | |
| | EAT - Textured Earth | | | 12 - FNV, 50W, 60° Wide Flood | | | |
| | CLA - Clear Anodized (FL1A only) | | | | | | |
| | NAT - Natural (FL1B & FL1S only) | | | | | | |
| | POL - Polished (FL1B & FL1S only) | | | | | | |
| | AGE - Aged (FL1B only) | | | | | | |
| | BRU - Brushed (FL1S only) | | | | | | |

- Notes:**
- Allowable wattage depends on model and application. See **Certification** heading above.
 - K1 knuckle is protected under U.S. Patent #6,966,679. K2 knuckle is further protected under U.S. Patent #7,108,405.
 - LED lamps available separately. Contact your Vision3 lighting CSR. ('Lens Accy' & 'Filter' options should not be used with LED lamps.)
 - Specifications, certifications, and ordering information are subject to change. Please check website for latest specification sheets.

Example: **FL1B - AGE - C3 - K2 - 02 - 0 - F2 - H1**