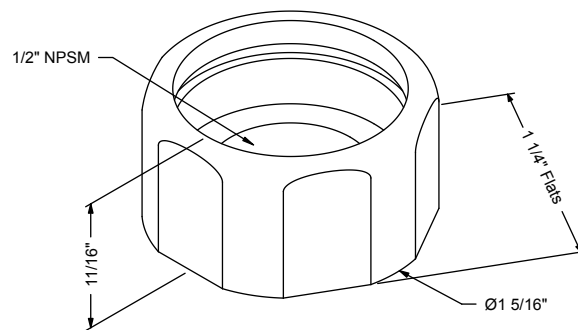


Specifications:

Construction: Machined from 6061-T6 aluminum, C36000 brass, or 304 stainless steel. 1/2" NPS thread allows the AC2 lock nut to mount on a fixture knuckle, giving the ability to aim and lock the fixture on a threaded canopy without the removal of the canopy, with a more attractive look than a standard locknut.

Finish: TGIC thermo set polyester powder coat paint available in 14 standard colors. On aluminum model, finish is applied over a corrosion resistant chromate conversion coating. Aluminum model available in one additional metal finish: Clear Anodized. Brass model available in three additional metal finishes: Natural, Polished, and Aged. Stainless steel model available in three additional metal finishes: Natural, Polished, and Brushed.



Ordering Information:

Model	Finish
AC2A - Aluminum	BL - Black
AC2B - Brass	BLT - Textured Black
AC2S - Stainless	BN - Bronze
	BNT - Textured Bronze
	BAT - Textured Bark
	WI - White
	GRT - Textured Green
	SI - Silver
	GY - Grey
	BE - Beige
	GNT - Textured Granite
	SAT - Textured Sand
	PAT - Textured Patina
	EAT - Textured Earth
	CLA - Clear Anodized (AC2A only)
	NAT - Natural (AC2B & AC2S only)
	POL - Polished (AC2B & AC2S only)
	AGE - Aged (AC2B only)
	BRU - Brushed (AC2S only)

Notes:

- Specifications, certifications, and ordering information are subject to change. Please check website for latest specification sheets.

Example: **AC2B - NAT**